

LL POINT Cx04 OneChip RGBW / WN

PRODUCT SHEET



Basic: LL POINT CB04



Surface: LL POINT CS04



Recessed: LL POINT CR



In Ground: LL POINT CG04



Console: LL POINT CC04



Pendant: LL POINT CP04

Product variants

LL POINT Cx04 monochrome

Decorative lighting

LL POINT Cx04 OneChip RGBW / WN is a miniature luminaire. It's an efficient alternative to standard halogen accent lighting. Available models: basic, surface, recessed, in ground, with console and pendant.

It must be connected to the splitter device. For intensity and color control is necessary connection with LL ARC DRIVER and LL SPLITTER.

Features

- OneChip RGBW / WN LED technology
- Wide variety of optics
- Low power consumption, high total efficacy, long lifespan
- High energy savings and fast return of investment
- Accurate and uniform light distribution

Application

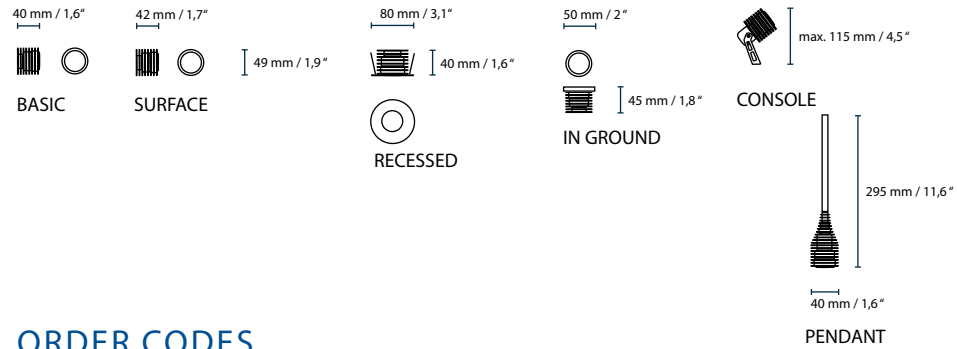
- Decorative and accent lighting
- Public areas, museums and galleries
- Shoppes and boutiques
- Hotels, clubs, restaurants



TECHNICAL SPECIFICATION

Electrical data	
Input voltage	Current Driver 0 – 0,7 A or with Splitter for PWM 24 V
Power	5 W RGBW 4x0,35A, 5 W WN 2x0,70A
Light source	
Light source	1 x LED
Exchangeable	no
Photometrical data	
Optic	Standard: 15 ° Optional: 30 °, 40 °, 60 °
Light Colour	OneChip RGBW / WN
Light technical data	
Lifespan	50.000 hours
Operation conditions	
Operation	LL DRIVER 24 V DC + LL POINT SPLITTER
Control data input	2 / 4 channels 24V dimming
IP rating	IP20
Operation temperature	-30 ° C to +40 ° C
Cooling	Conventional
Product data	
Color	Standard: SI - RAL9006
Material	Aluminium
Weight	Basic: 0,20 kg

TECHNICAL DRAWING / MOUNTING



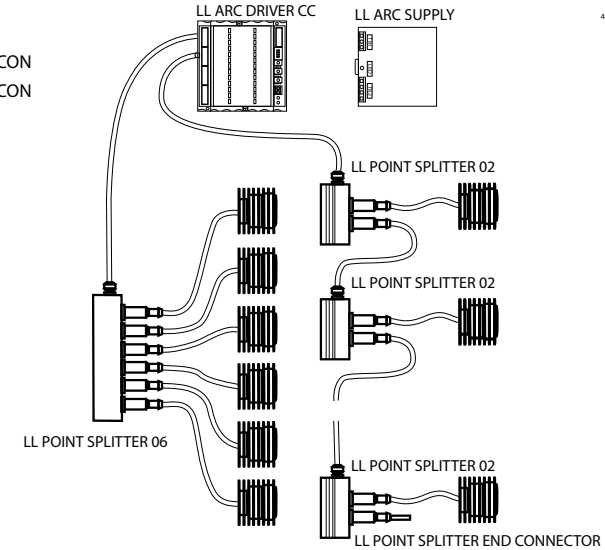
ORDER CODES

LL POINT CB04-01-5W-015-RGBW-OC-I20-SI
 LL POINT CS04-01-5W-015-RGBW-OC-I20-SI
 LL POINT CR04-01-5W-015-RGBW-OC-I20-SI
 LL POINT CG04-01-5W-015-RGBW-OC-I20-SI
 LL POINT CC04-01-5W-015-RGBW-OC-I20-SI
 LL POINT CP04-01-5W-015-RGBW-OC-I20-SI

LL POINT CB04-01-5W-015-WN-OC-I20-SI
 LL POINT CS04-01-5W-015-WN-OC-I20-SI
 LL POINT CR04-01-5W-015-WN-OC-I20-SI
 LL POINT CG04-01-5W-015-WN-OC-I20-SI
 LL POINT CC04-01-5W-015-WN-OC-I20-SI
 LL POINT CP04-01-5W-015-WN-OC-I20-SI

ACCESSORIES

LL POINT SPLITTER 02 RGBW/WN 2xOUT, 8 pin IP20 CON
 LL POINT SPLITTER 06 RGBW/WN 6xOUT, 8 pin IP20 CON
 LL POINT SPLITTER DAISY CABLE 8 pin/ 8 pin M 2 m
 LL POINT SPLITTER END CONNECTOR 8 pin



PHOTOMETRY

