



5 YEARS  
EXTRA  
WARRANTY

LL VISION 07 LINE



DRIVER:

IP20 IP67

FIXTURE:

IP43 IP67+\* PWM 24V/48V

\*Advanced IP Protection (Option)  
LEADER LIGHT patent pending technology

- Modular compact LED fixture in two sizes:  
HE:200mm and HO:300mm
- RCD registered patent design construction
- High total efficiency (including ballasts):  
HE: >95lm/W (<4500°K), >100lm/W (>4500°K);  
HO: >90lm/W;
- Modular connection system
- Optional dimming 0-100%
- Quick switch "On" and "Off"
- CRI>75 (>4500°K), CRI>80 (<4500°K);  
On request: CRI 85 - 90

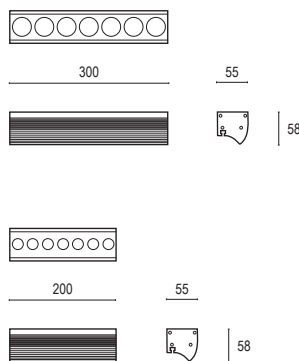
LL VISION 07 LINE

is a sophisticated LED modular concept dedicated for large area lighting in two versions: with extra high light output (HO) or high efficiency (HE). Two basic models with length 200mm and 300mm enable optional configuration at six. There are two basic driving systems at choice: Switching driver: 100-260V AC with 3 jump dimming (100%, 66% and 33%) and DMX dimmable driver: with 0-100% dimming off 6 modules.

APPLICATION:

- » industrial halls
- » sport areas - hockey, basketball, tennis, multifunctional, ...
- » exterior lighting (optional OUT variant)

Dimensions in mm - the basic module



Technical specification

Lamp source	7x LED CREE XML
Max. input power	200mm: 20W or 17W** 300mm: 30W or 24W***
Optic	Standard: 35° Optional: 10°, 20°, 30°, 40°, 60°, 120°, 55°x130°
Color Rendering Index (CRI)	>75 (>4500°K); >80 (<4500°K) Optional: 85-90 (3000-4000°K)
Lifetime	50,000 hours (70% lumen maintenance at T <sub>a</sub> =35°C)
Power connection	AC 100-260V, 50/60Hz
Light color temperature	Standard: 4500°K CRI80 Optional: 3000°K /3500°K /4000°K /5000°K /5500°K /6000°K
Ambient temp. (T <sub>a</sub> )	Standard: -30°C<T <sub>a</sub> <+40°C Optional: +50°C
Weight	200mm: 1,00kg 300mm: 1,00kg
Cooling	Conventional
Materials and finish	Natural anodized aluminium
Installation	surface/suspended mounting with bracket

Order data fixtures:

Order code	Product name	Power output
LL47 001.4y4*	LL VISION LINE 07-200-24, 4.500°K	** 20W with switching driver, 17W with dimmable driver
LL47 002.4y4*	LL VISION LINE 07-300-24, 4.500°K	*** 30W with switching driver, 24W with dimmable driver

Order data accessories:

Order code	Product name
LL47 800.4	LL VISION DUO BRACKET 100
LL47 801.4	LL VISION TRIPLE BRACKET 100
LL47 802.4	LL VISION QUATRO BRACKET 100
LL47 803.4	LL VISION HEX BRACKET 100

Order data drivers:

Order code	Product name	Power output
<b>DMX dimmable drivers:</b>		
LL47 901.4y*	LL DRIVER 06-07-24 DIM	110W / 24V 6x0,7A
LL47 902.4y*	LL DRIVER 06-10-24 DIM	160W / 24V 6x1,0A
LL47 903.4y*	LL DRIVER 06-10-48 DIM	310W / 48V 6x1,0A
<b>Switching drivers:</b>		
LL47 911.4y*	LL DRIVER 03-09-48 SW	120W 3x0,9A
LL47 912.4y*	LL DRIVER 03-12-48 SW	180W 3x1,25A

\* Order code: LL47 --.xyz:

"x" = Product colour: x = 1 (RAL 9005), x = 2 (RAL 9010), x = 3 (RAL 7035), x = 4 (RAL 9006), x = 5 (RAL 7016), x = 6 (RAL 7032), x = 7 (RAL 3003), x = 8 (RAL 5010)

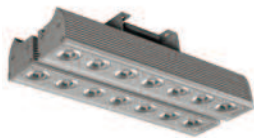
"y" = IP: y = 2 (IP20), y = 4 (IP43), y = 6 (IP67)

"z" = Light colour temperature: z = 1 (3.000°K), z = 2 (3.500°K), z = 3 (4.000°K), z = 4 (4.500°K), z = 5 (5.000°K), z = 6 (5.500°K), z = 7 (6.000°K)



LEADER LIGHT

LEADER LIGHT s.r.o.  
M. Gorkeho 33  
05 201 Spisska Nova Ves  
SLOVAK REPUBLIC  
Tel.: +421 (0)2 4445 7511  
Tel.: +421 (0)2 4445 7514  
Fax: +421 (0)2 4445 7525  
sales@leaderlight.sk  
www.leaderlight.eu



LL VISION LINE 07 + LL VISION DUO BRACKET 100

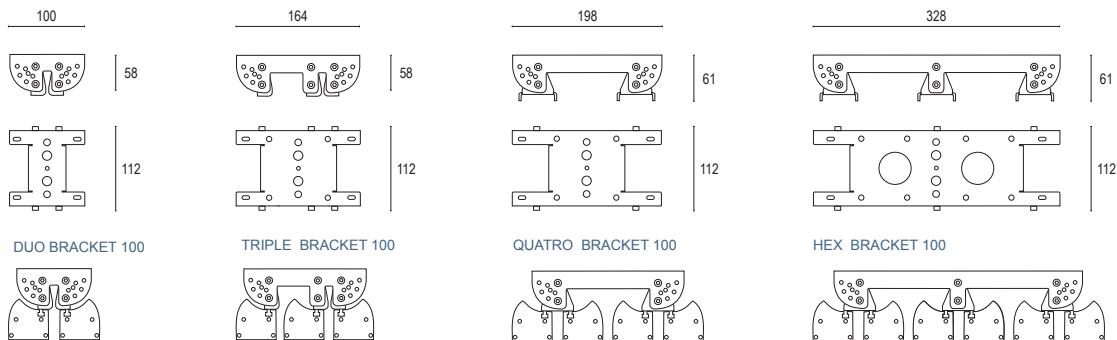


LL VISION LINE 07 + LL VISION TRIPLE BRACKET 100

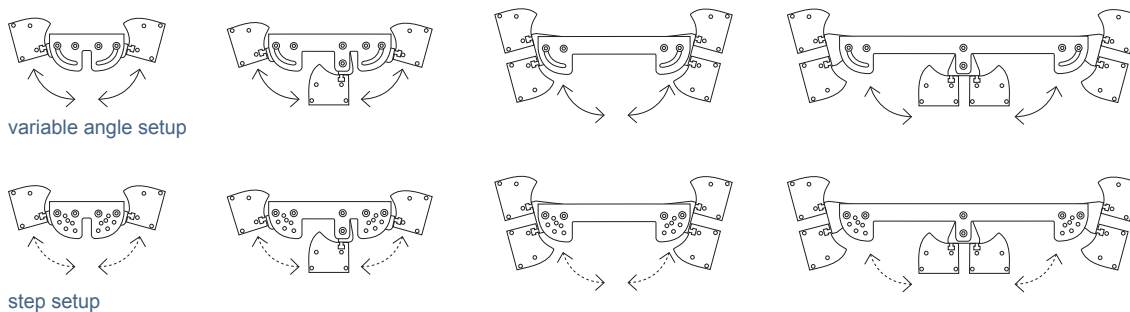


LL VISION LINE 07 + LL VISION HEX BRACKET 100

Dimensions in mm - brackets



The standard bracket offers two options for fixture fixation: variable angle setup 0°-75° or step setup 0°-15°-30°-45°-60°-75°



SHK37- Ice hockey stadium Piestany, Slovakia

