



LL PRO NEO RGBW

is compact RGBW fluorescent surface mounted wash light range for professional use. The fully dimmable luminaire allowed RGBW additive colour mixing and is designed in two sizes 1500mm or 1200mm.

It is highperformance, economic and energy saving wash light solution.

The luminaire is supplied with the clear front Plexiglas.

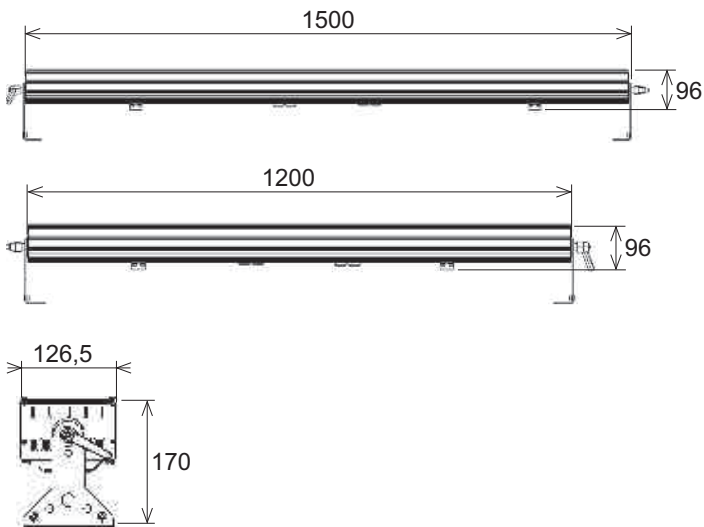
Main applications :

- floodlighting and wall washing for entertainment applications
- illumination of TV studios, theaters, stages, concert halls, ...
- lighting effects for bars, restaurants,

Professional

LL PRO NEO RGBW

Dimensions in mm:



DMX channels:

Mode 1: Dip2=Off, Dip3=Off

- | | |
|-------------|-----------------------|
| 1 - Red | 5 - Preheat (Dip3=On) |
| 2 - Green | 6 - Master (Dip2=On) |
| 3 - Blue | |
| 4 - White 1 | |

Order data:

Order code	Product name
LL05 400	LL PRO NEO TVD 4x80W/35W RGBW
LL05 420	LL PRO NEO TVD 4x54W/28W RGBW
LL05 440	LL PRO NEO TVD 4x54W/28W RGBW*
LL05 660	U console for fix two LL PRO NEO in line
LL05 662	L console for fix two LL PRO NEO in parallel (pack 2pcs)
LL05 664	Vertical console for fix two LL PRO NEO in line - vertical position / 4tubes
LL05 665	Vertical console for fix two LL PRO NEO in line - vertical position / 3tubes
LL05 666	Top console for fix LL PRO NEO by duty clam - vertical position / 4tubes
LL05 667	Top console for fix LL PRO NEO by duty clam - vertical position / 3tubes

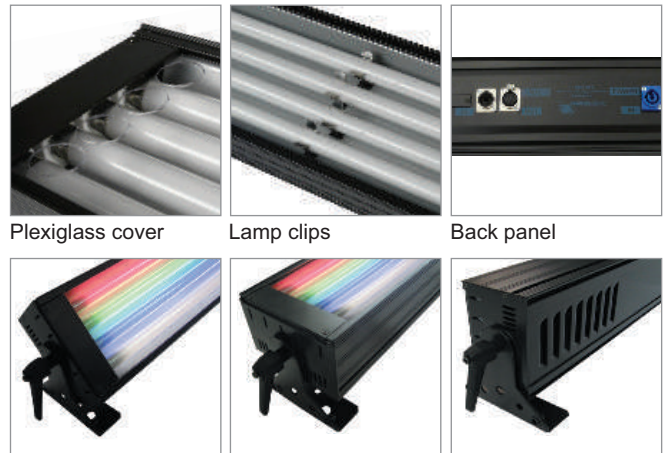
Accessories:

LL05 670	Long bracket 1500 for LL PRO NEO 1500
LL05 672	Long bracket 1200 for LL PRO NEO 1200
LL05 674	Barndoor for PRO NEO 1500
LL05 676	Barndoor for PRO NEO 1200

Note: delivery with lamps
* USA version: 120V/60Hz

Technical specification:

Lamp type:	4xT5 HE 35W/28W or HO 80W/54W (Red, Green, Blue and White)
Lifetime:	Long lifetime 20 000 hrs
Gear:	IQ ballast ready for T5 HO or T5 HE DALI
Input:	DMX 512 in/out with XLR 5PIN
Connection:	198-264V, 50/60Hz AC in/out PowerCon
Net weight:	11kg/10kg : 1500mm/1200mm
Dimensions LxWxH:	1500mm/1200mm x 126,5mm x 96mm without bracket
IP:	IP20
Ambient temp. (Ta):	Maximum 40°C
Materials and finish:	Housing: powder-painted anodized aluminium in black (other colours on request)
Installation:	Surface mounting



Plexiglass cover

Lamp clips

Back panel

Accessories

Mounting accessories:



LEADER LIGHT s.r.o.
M. Gorkeho 33
05201 Spisska Nova Ves
SLOVAK REPUBLIC
Tel.: +421 (0)2 44457511
Tel.: +421 (0)2 44457514
Fax: +421 (0)2 44457525
sales@leaderlight.sk
www.leaderlight.eu