

USER MANUAL

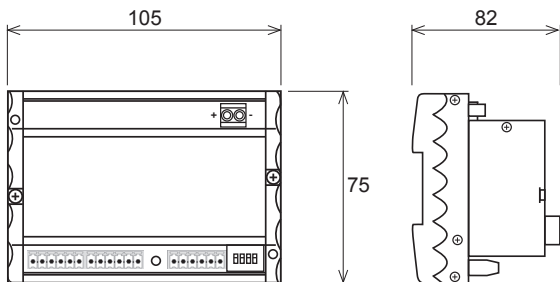
LL IN8-DMX - Potential free contact module

LL08 305



COMPLIMENTS ON YOUR PURCHASE!

All dimensions are in millimeters



Package includes:

- LL IN8-DMX 1 pc.
- User manual 1 pc.

Additional items needed:

- Data and power cables
- 24V DC power supply

Content:

01 SAFETY INFORMATION

- 01.1 Safety instructions
- 01.2 Operating restrictions
- 01.3 Fire protection

02 PRODUCT SPECIFICATION

- 02.1 Technical specification
- 02.2 Product description

03 INSTALLATION

- 03.1 Unpacking
- 03.2 Physical installation
- 03.3 Connection
- 03.4 Installation factors
- 03.5 RSX channels

04 MAINTENANCE AND SERVICE

ENVIRONMENTAL PROTECTION

Do not throw away the appliance with the normal household waste at the end of its life, but hand it in at an official collection point for recycling. By doing this, you help to preserve the environment.



01 SAFETY INFORMATION



WARNING!!!

Carefully read before installing, powering or servicing. Nothing to do if anything misunderstand! Installation can be done only by a qualified professional in accordance with relevant local codes.

01.1 Safety instructions



- Shut down power before installation or maintenance of equipment or voltage /data source.
- Do not modify, alter, or attempt to service the LeaderLight appliance. Doing so will void the warranty.
- Use only the recommended DC voltage source.
- Connect the ground to the bottom of the box!
- Electrical connections, service and maintenance can be performed only by qualified professional.
- AC power supply of DC power supply must comply with local regulations.
- AC power supply must be protected against overvoltage and short circuits.

01.2 Operating restrictions

- This product was designed for indoor use only!
- If the product has been exposed to drastic temperature fluctuation (e.g. after transportation), do not switch it on immediately. The arising condensation water might damage your unit. Leave the unit switched off until it has reached room temperature.
- Do not operate the product in humid, dusty or too hot/cold environments.
- Before connecting, make sure the product is not damaged, wet, or otherwise damaged.
- Unprofessional operation creates the most damages!
- For transport use the original packaging.

Operate only with 24V DC stabilized source!

01.3 Fire protection



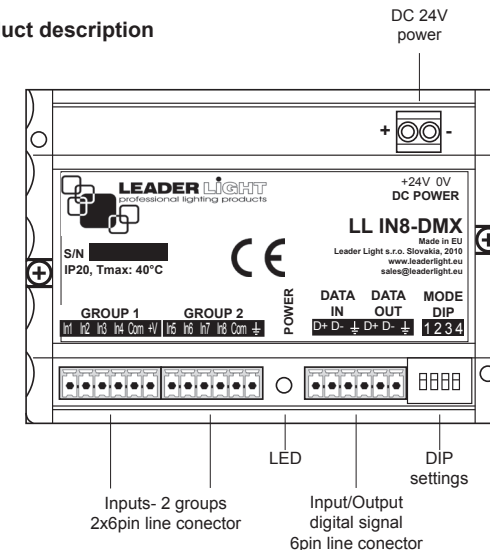
- Follow all safety restrictions.
- Device never cover – the minimum space around the vents must be at least 100mm (4 in.).
- Allowed maximum ambient temperature is 40°C (104°F).

02 PRODUCT SPECIFICATION

02.1 Technical specification

Power connection: DC24V max. 5W
Input: 8x digital input
Output signal: Protocol USITT DMX512
Ambient temp. (Ta): 0°C ÷ +40°C
Net weight: 0,30 kg
Dimensions LxWxH: 105mm x 75mm x 82mm
Installation: standard DIN installation TS35 – 6DIN

02.2 Product description



Indication of control LED (LED power / data - yellow)

LED	Indication	Status
LED Power / Data	On 240ms / Off 240ms	O.K. - device is working correct No DMX signal
LED Power / Data	On 120ms / Off 120ms	O.K. - device is working correct O.K. - correct DMX signal
LED Power / Data	On 120ms / Off 360ms	Error - wrong DMX signal

03 INSTALLATION

03.1 Unpacking

- Unpack carefully.
- This is electronic equipment and should be handled carefully.
- Damaged delivered package or if are any mechanical parts broken – it must be claim immediately by the transport company. Photo pictures as evidence are valuable for future claim.

03.2 Physical installation

- Loading capacity of bearing area has to be at least 10 times the weight of all device clusters.

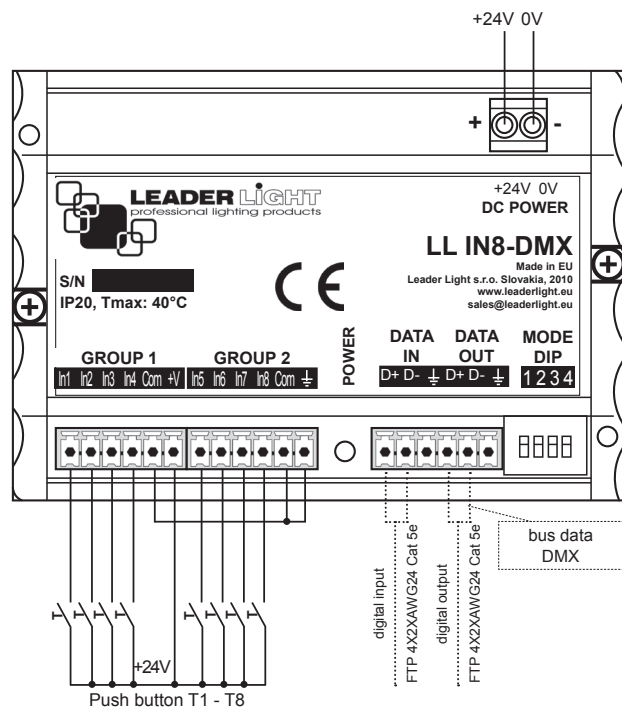
03.3 Connection

- Respect all SAFETY INFORMATION 01!
- Connect the ground (earth) to the bottom of the module!
- LL IN8-DMX device may be operated only with 24V DC stabilized source.
- In the case of connecting the power supply with more than a prescribed voltage you can suffer a dangerous electric shock, inflict damage equipment or fire.
- Shut down power supply from all devices before installation of LL IN8-DMX to end devices.

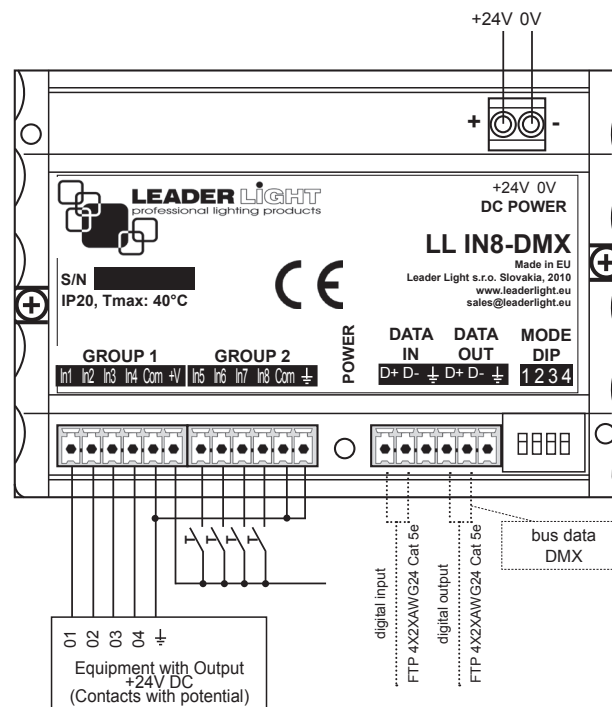


Wiring diagram of LL IN8-DMX module

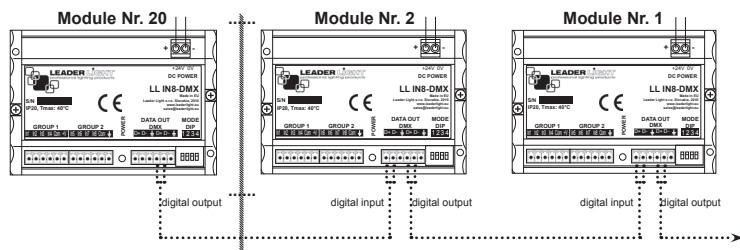
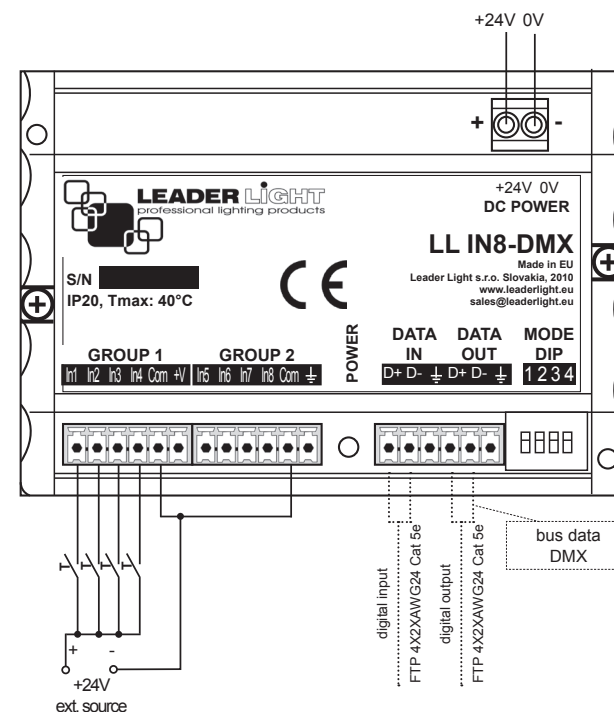
Connecting with potential free contacts.



The voltage outputs, in combination with potential free contact.



Connecting with galvanic inputs separation with using an external source.



Maximum number of LL-IN8 DMX modules connected in series is 20!

Module is always inserted its 6 DMX channels on top of DMX packet.

The first are the DMX data from Module Nr. 1, then the data from Module Nr. 2 ... to max. the data from Module Nr. 20.

Feature LL IN8-DMX:

LL IN8-DMX is input device. It includes 8 digital inputs, which can be switched with any contact. The input module is designed as an interface for connecting any arbitrary button control to the control system. The protocol of digital input and output is DMX512.

03.4 Installation Factors

- For any indoor and outdoor installation inside the installation box must be add +100mm to each side and must be add ventilation modul.
- For outdoor installation must be add heating modul, if the outdoor temperature is less then 0°C any time!



03.5 DMX channels

see attachment

04 MAINTENANCE AND SERVICE

- Before any maintenance is necessary to carefully read all **SAFETY INFORMATION 01!**
- Damages caused by inadequate cleaning or maintenance are not covered by warranty.
- Requires periodic cleaning (dust, dirt ,...)

Procedure for maintenance:

- Unplug mains before maintenance and at least 10 minutes cool off.
- Appliance do not illegal open or demount.
- Clean-up dust only from outer surface. Use vacuum or dumpy duster (warm water)
- Before reinstalling make sure everything is intact and dry- no wet parts!

Service:

- Customer service provided by the manufacturer.

