

## USER MANUAL

### LL IN8-RSxxx - Potential free contact module

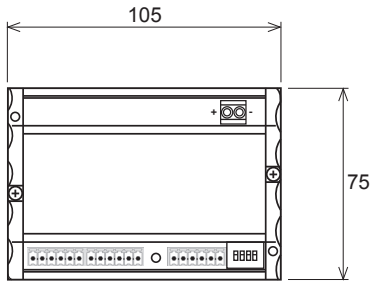
#### LL08 300 xxx

xxx - protocol type 0v3, or 0v4, or 0v5



#### COMPLIMENTS ON YOUR PURCHASE!

All dimensions are in millimeters



#### Package includes:

- LL IN8-RSxxx 1 pc.
- User manual 1 pc.

#### Additional items needed:

- Data and power cables
- 24V DC power supply

#### Content:

#### 01 SAFETY INFORMATION

- 01.1 Safety instructions
- 01.2 Operating restrictions
- 01.3 Fire protection

#### 02 PRODUCT SPECIFICATION

- 02.1 Technical specification
- 02.2 Product description

#### 03 INSTALLATION

- 03.1 Unpacking
- 03.2 Physical installation
- 03.3 Connection
- 03.4 Installation factors
- 03.5 RSX channels

#### 04 MAINTENANCE AND SERVICE

#### ENVIRONMENTAL PROTECTION

Do not throw away the appliance with the normal household waste at the end of its life, but hand it in at an official collection point for recycling. By doing this, you help to preserve the environment.



#### 01 SAFETY INFORMATION



##### WARNING!!!

Carefully read before installing, powering or servicing. Nothing to do if anything misunderstand! Installation can be done only by a qualified professional in accordance with relevant local codes.

#### 01.1 Safety instructions



- Shut down power before installation or maintenance of equipment or voltage /data source.
- Do not modify, alter, or attempt to service the LeaderLight appliance. Doing so will void the warranty.
- Use only the recommended DC voltage source.
- Connect the ground to the bottom of the box!
- Electrical connections, service and maintenance can be performed only by qualified professional.
- AC power supply of DC power supply must comply with local regulations.
- AC power supply must be protected against overvoltage and short circuits.

#### 01.2 Operating restrictions

- This product was designed for indoor use only!
- If the product has been exposed to drastic temperature fluctuation (e.g. after transportation), do not switch it on immediately. The arising condensation water might damage your unit. Leave the unit switched off until it has reached room temperature.
- Do not operate the product in humid, dusty or too hot/cold environments.
- Before connecting, make sure the product is not damaged, wet, or otherwise damaged.
- Unprofessional operation creates the most damages!
- For transport use the original packaging.

**Operate only with 24V DC stabilized source!**

#### 01.3 Fire protection



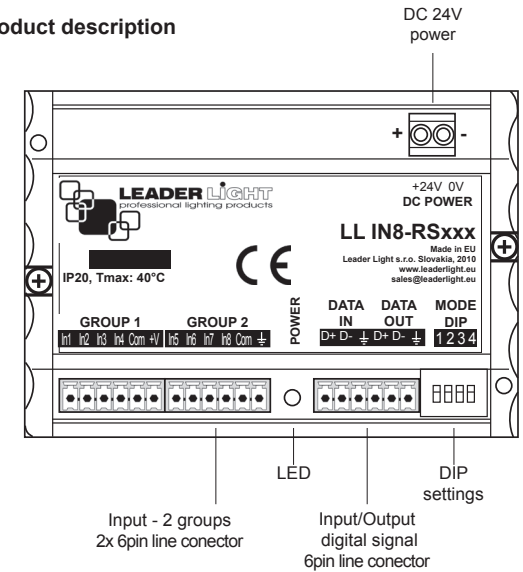
- Follow all safety restrictions.
- Device never cover – the minimum space around the vents must be at least 100mm (4 in.).
- Allowed maximum ambient temperature is 40°C (104°F).

#### 02 PRODUCT SPECIFICATION

##### 02.1 Technical specification

- Power connection:** DC24V max. 5W
- Input:** 8x digital input
- Output signal:** RS 423/232 LL defined protocol
- Ambient temp. (Ta):** 0°C + +40°C
- Net weight:** 0,30 kg
- Dimensions LxWxH:** 105mm x 75mm x 82mm
- Installation:** standard DIN installation TS35 – 6DIN

#### 02.2 Product description



#### Indication of control LED (LED power / data - yellow)

LED	Indication	Status
LED Power / Data	On 240ms / Off 240ms	O.K. - device is working correct

#### 03 INSTALLATION

##### 03.1 Unpacking

- Unpack carefully.
- This is electronic equipment and should be handled carefully.
- Damaged delivered package or if are any mechanical parts broken – it must be claim immediately by the transport company. Photo pictures as evidence are valuable for future claim.

##### 03.2 Physical installation

- Loading capacity of bearing area has to be at least 10 times the weight of all device clusters.

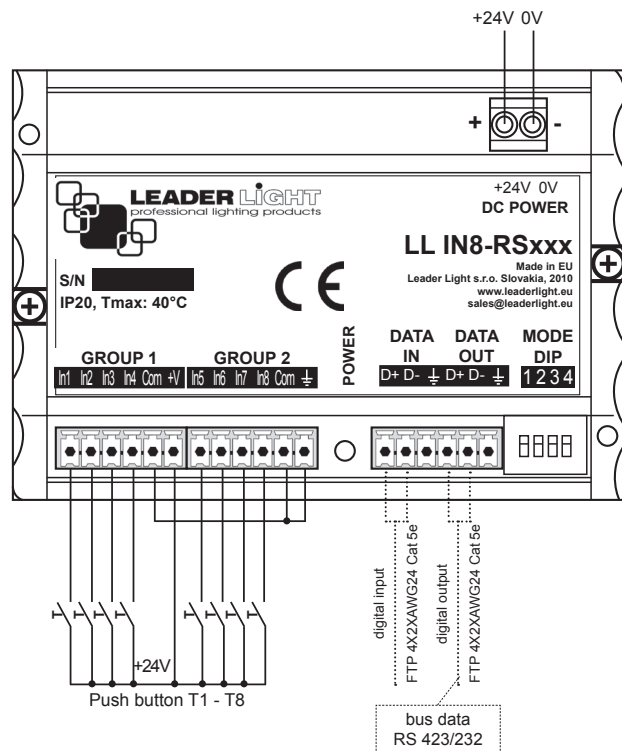
##### 03.3 Connection

- Respect all SAFETY INFORMATION 01!
- Connect the ground (earth) to the bottom of the module!
- LL IN8-RSxxx device may be operated only with 24V DC stabilized source.
- In the case of connecting the power supply with more than a prescribed voltage you can suffer a dangerous electric shock, inflict damage equipment or fire.
- Shut down power supply from all devices before installation of LL IN8-RSxxx to end devices.

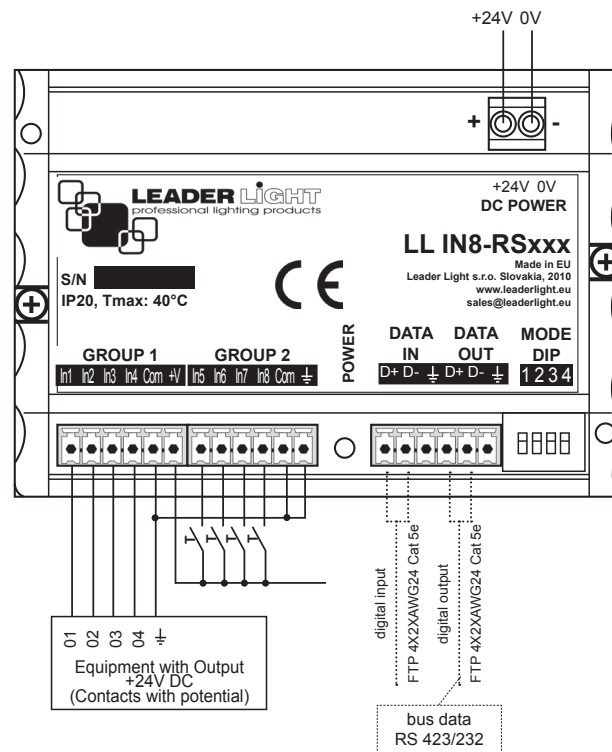


## Wiring diagram of LL IN8-RSxxx module

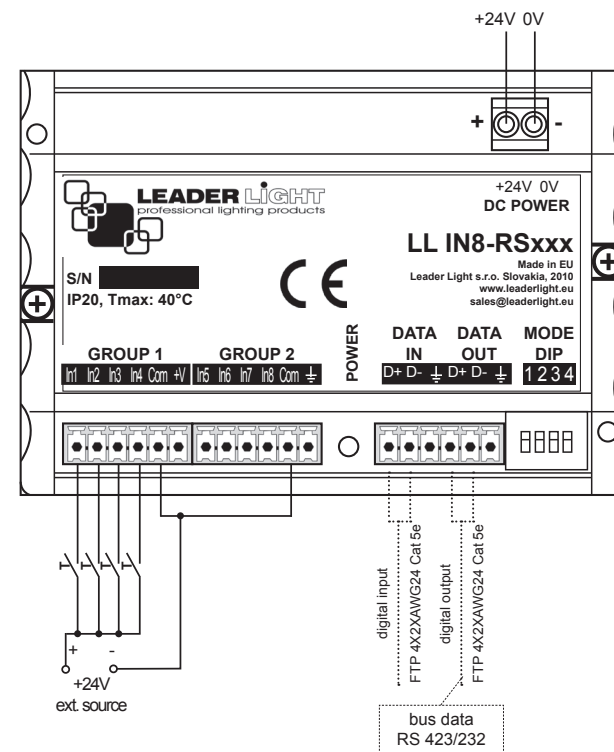
Connecting with potential free contacts.



The voltage outputs, in combination with potential free contact.



Connecting with galvanic inputs separation with using an external source.



### Feature LL IN8-RSxxx:

LL IN8-RSxxx is input device. It includes 8 digital inputs, which can be switched with any contact. The input module is designed as an interface for connecting any arbitrary button control to the control system RS digital output protocol of the sending state inputs can be varied.

### 03.4 Installation Factors

- For any indoor and outdoor installation inside the installation box must be add +100mm to each side and must be add ventilation modul.
- For outdoor installation must be add heating modul, if the outdoor temperature is less then 0°C any time!



### 03.5 RSX channels

*These informations are subject to change, latest data are on: [www.leaderlight.eu](http://www.leaderlight.eu)*

#### Mode1:

- Input In1 = commands ASCII Output1
- Input In2 = commands ASCII Output2
- Input In3 = commands ASCII Output3
- Input In4 = commands ASCII Output4
- Input In5 = commands ASCII Output5
- Input In6 = commands ASCII Output6
- Input In7 = commands ASCII Output7
- Input In8 = commands ASCII Output8

#### Features Dip ( switch Dip1, Dip2, Dip3, Dip4 ):

- Dip1 = On = without function
- Dip2 = On = without function
- Dip3 = On = without function
- Dip4 = On = without function

Sending ASCII commands are set by the RSX protocol. Currently available are the following protocols:

- I8 0v3: protocol ASCIout 0v3 (6Byte)
  - I8 0v4: protocol ASCIout 0v4 (4Byte) – E-cue
  - I8 0v5: protocol ASCIout 0v5 (9Byte) – Creator
- Description of the protocol is attached.

### 04 MAINTENANCE AND SERVICE

- Before any maintenance is necessary to carefully read all **SAFETY INFORMATION 01!**
- Damages caused by inadequate cleaning or maintenance are not covered by warranty.
- Requires periodic cleaning (dust, dirt ,...)

#### Procedure for maintenance:

- Unplug mains before maintenance and at least 10 minutes cool off.
- Appliance do not illegal open or demount.
- Clean-up dust only from outer surface. Use vacuum or dumpy duster (warm water)
- Before reinstalling make sure everything is intact and dry– no wet parts!

#### Service:

- Customer service provided by the manufacturer.

