

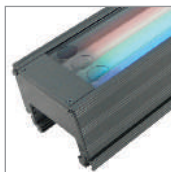
## USER MANUAL

### LL ART NEO RGB/RGBW IP20

LL05 136 LL05 146

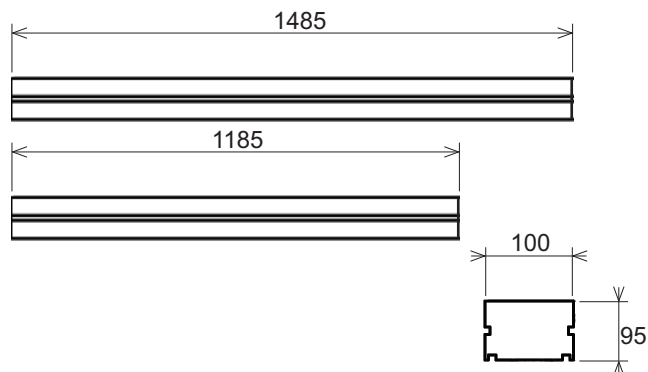
LL05 236 LL05 246

LL05 336 LL05 346



### COMPLIMENTS ON YOUR PURCHASE!

All dimensions are in millimeters



#### Following items are included:

- LL ART NEO with RGB/RGBW T5 tubes 1 pc.
- Shelter – plexiglass 1 pc.
- 3-pole female connector WAGO-WINSTA for AC power supply, without cable 1 pc.
- 3-pole male connector WAGO-WINSTA for cascade AC power supply, without cable 1 pc.
- Mounting brackets 2 pcs.
- User manual 1 pc.

#### Additional items needed:

- Data cables with RJ45
- Interface DMX/DALI
- Mounting accessories LL05 650, LL05 652, LL05 654, LL05 655

#### Content:

- 01 SAFETY INFORMATION**
  - 01.1 Protection from electric shock
  - 01.2 Fire prevention
- 02 PRODUCT SPECIFICATION**
  - 02.1 Technical Specification
  - 02.2 Back panel
- 03 INSTALLATION**
  - 03.1 Unpacking
  - 03.2 Physical installation
  - 03.3 Connecting to AC power
  - 03.4 Control data connecting
- 04 MAINTENANCE**

## 01 SAFETY INFORMATION



### WARNING!!!

Carefully read before installing, powering or servicing.  
Nothing to do if anything misunderstand!  
Only for professional use!

### 01.1 Protection from electric shock



- Shut down power before installation or maintenance.
- Luminaries and recommended power supply must be installed by a qualified professional in accordance with relevant local codes.  
Only acceptable source of AC power and frequency that complies with local building and electrical codes to use.
- Do not use or do not connect the products if the power cable, power plug or fixtures are any way damaged, wet, or if they are overheating.
- Do not modify, alter, or attempt to service the LeaderLight appliance.  
Doing so will void the warranty.
- Before removing or installing any cover or part of appliance disconnect it from AC power.
- Appliance always connect to earth (eltech.).

### 01.2 Fire prevention



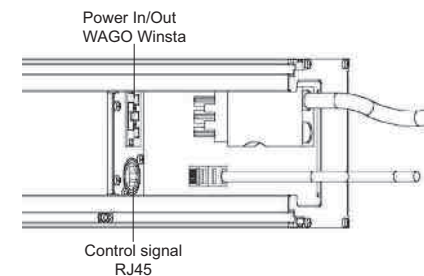
- Follow all safety consideration.
- Thermostatic switches or fuses never to bypass.
- Device never shield - minimum distance around ventilating slots must be 100mm (4 in.).
- Allowing max. ambient temperature is 40°C (104°F).

## 02 PRODUCT SPECIFICATION

### 02.1 Technical Specification

<b>Lamp type:</b>	1485mm: 3/4 x T5 80W/ 35W RGB/ RGBW 1185mm: 3/4 x T5 54W/ 28W RGB/ RGBW (Red, Green and Blue / Red, Green, Blue and White)
<b>Lifetime:</b>	Long 20 000 hours
<b>Gear:</b>	IQ auto switchable ballast ready for T5 HO or T5 HE DALI
<b>Control data Input:</b>	3/4 channels DALI with RJ45
<b>Power Connection:</b>	AC input/output WAGO Winsta in/out include
<b>Net weight:</b>	1485/1185mm: RGB 9,0kg /8,0kg 1485/1185mm: RGBW 10,5kg /9,5kg
<b>Dimensions LxWxH:</b>	1485/1185/885mm x100/120mm x95mm without bracket
<b>IP:</b>	IP20
<b>Ambient temp. (Ta):</b>	Maximum 40°C
<b>Cooling:</b>	Conventional
<b>Dynamic effects:</b>	0-100% dimmable tubes by Interface DMX/DALI
<b>Materials and finish:</b>	Aluminium and mild steel RAL9006 (other colours on request)
<b>Installation:</b>	Surface, wall, floor or aluminium truss mounting

### 02.2 Back panel



## 03 INSTALLATION

### 03.1 Unpacking

- Unpack carefully.
- This is electronic equipment and should be handled carefully.
- Damaged delivered package or if are any mechanical parts broken – it must be claim immediately by the transport company.  
Photo pictures as evidence are valuable for future claim.

### 03.2 Physical installation

- Loading capacity of bearing area has to be at least 10 times the weight of all device clusters (luminaries, clamps, cables, ...).
- Height breadth from combustible materials is 0,5m.

### RECOMENDATION !

Before start, in order to obtain the full 20.000 hour life time, new fluorescent tubes must be burned in for 100 hundred hours at full power.

### 03.3 Connecting to AC power



- **To tackle all Safety Information- 01!**
- For protection from electric shock, the device must be grounded (earthed)!
- It is not necessary to open the fixture before power supply.  
Power supply is solved simple with WAGO Winsta connectors.
- The fixture is equipped with auto-switching power supply that automatically adjusts to any 50-60 Hz AC power source from 100-260 Volts.
- Cord plug connections:

Symbol	Pin	Wire Colour	Screw (US)
L	live	brown	yellow or brass
N	neutral	blue	silver
⊕	ground (earth)	yellow/green	green

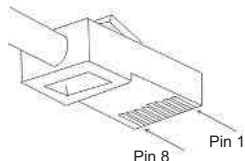
### 03.4 Control data connecting

- Control data cable length is specified by Norm IEC929 Annex E4.
- It is not necessary to open the fixture before connecting of DALI control signal.  
Interconnections are realized by RJ45 IN/OUT connectors.

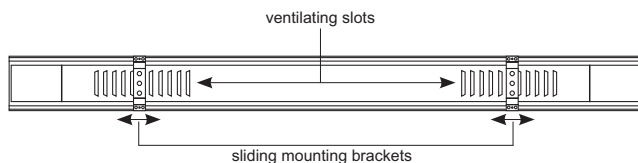
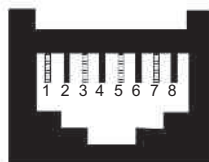
#### Wiring for control cables

DALI Input/Output, RJ45 sockets	
Pin number	Function
Pin 1	- Dali Red
Pin 2	+ Dali Red
Pin 3	- Dali Green
Pin 4	+ Dali Blue
Pin 5	- Dali Blue
Pin 6	+ Dali Green
Pin 7	- Dali White
Pin 8	+ Dali White
Shield	Shield

RJ45 connector



Connection with FTP cable



#### 04 MAINTENANCE



- To tackle all Safety Information- 01!
- Damage caused by inadequate cleaning or maintenance is not covered by warranty.
- Regular cleaning is demand (dust, dirt, ...).

#### Maintenance policy:

- Unplug mains before maintenance and at least 10 minutes cool off.
- Cleanup dust from fitting.
- Use vacuum or dampy duster (warm water).
- Before reinstalling to check failure-free state – no wet parts!

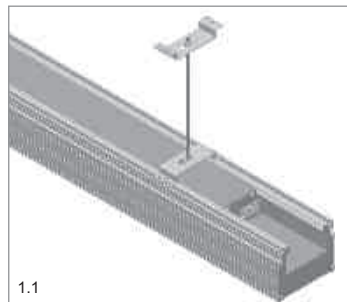
#### ENVIRONMENT



Do not throw away the appliance with the normal household waste at the end of its life, but hand it in at an official collection point for recycling. By doing this, you help to preserve the environment.

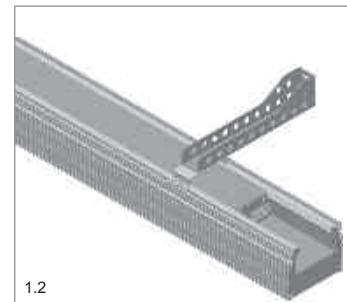
#### Mounting of LL ART NEO

Mounting on ceiling and wall is easy using various accessories as seen below (Figures Nr. 1.1 to 1.3). It is not necessary to open the fixture for mounting.



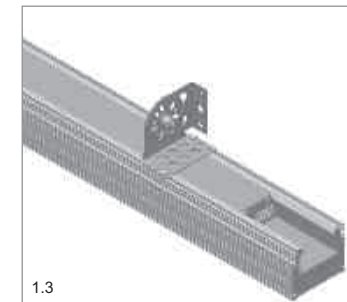
1.1

Mounting on ceiling LL05 652



1.2

Mounting with wall bracket LL05 650

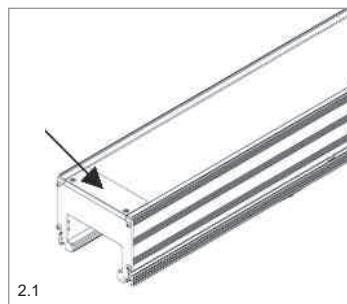


1.3

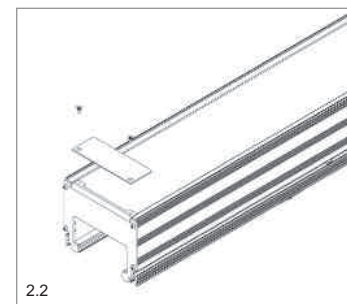
Mounting with LL05 654, LL05 655

#### Insertion or exchange of fluorescent tubes

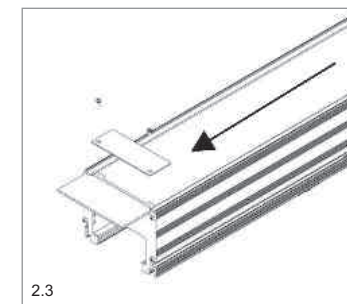
It is not necessary to open the fixture for insertion or exchange of tubes. On both sides of the fixture are small cover pieces with 2 screws (Figure Nr. 2.1). Remove these small pieces on both sides of the LLART NEO light (Figure Nr. 2.2). Then slide the shelter through the small slot at the top of aluminium profile (Figure Nr. 2.3).



2.1

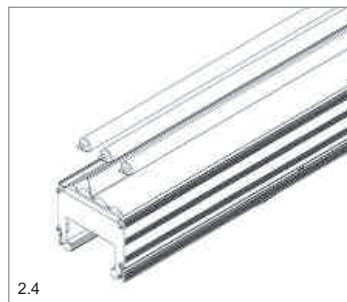


2.2

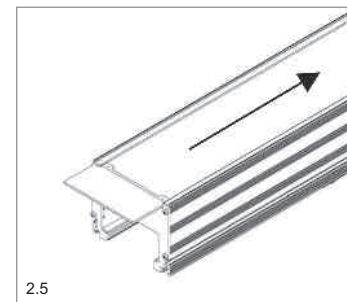


2.3

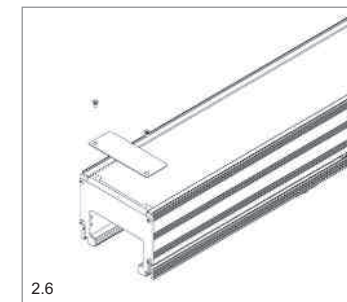
So you will get free space for insertion or exchange of fluorescent tubes (Figure Nr. 2.4). Carefully remove each of the tubes by rotating them (at the ends) until you are able to pull one and out, and then remove the entire tube. By remounting follow these instructions backwards (Figures Nr. 2.5-2.6).



2.4



2.5



2.6