

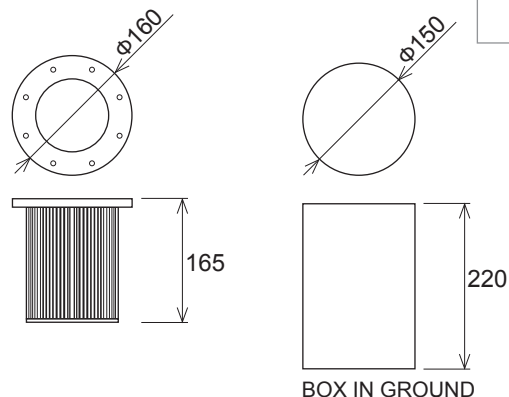
USER MANUAL

LL A3 SPOT 07 IN GROUND W/N

LL32 480
LL33 485

COMPLIMENTS ON YOUR PURCHASE!

All dimensions are in millimeters



Following items are included:

- LL A3 SPOT 07 IN GROUND with 1,5m cable 1 pc.
- LL BOX SPOT IN GROUND 1 pc.
- User manual 1 pc.

Additional items needed:

- Screws and washers

Content:

01 SAFETY INFORMATION

- 01.1 Risk of eyes damage
- 01.2 Protection from electric shock
- 01.3 Fire prevention

02 PRODUCT SPECIFICATION

- 02.1 Technical Specification

03 INSTALLATION

- 03.1 Unpacking
- 03.2 Physical installation
- 03.3 Connecting to AC power

04 MAINTENANCE

ENVIRONMENT



Do not throw away the appliance with the normal household waste at the end of its life, but hand it in at an official collection point for recycling. By doing this, you help to preserve the environment.

01 SAFETY INFORMATION



WARNING!!!

Carefully read before installing, powering or servicing.
Nothing to do if anything misunderstand! Installation can be done only by a qualified professional in accordance with relevant local codes.

01.1 Risk of eyes damage



- Do not look directly into LED lamps.
- Do not look into light beam from a distance of less than 40 cm (16 inches)!

01.2 Protection from electric shock



- Shut down power before installation or maintenance.
- Luminaries and recommended AC power supply must be installed by a qualified professional in accordance with relevant local codes. Only acceptable source of AC power and frequency that complies with local building and electrical codes to use.
- Do not use or do not connect the products if the power cable, power plug or fixtures are any way damaged, wet, or if they are overheating.
- Do not modify, alter, or attempt to service the LeaderLight appliance. Doing so will void the warranty.
- Before removing or installing any cover or part of appliance disconnect it from AC power.
- Appliance always connect to earth (eltech).

01.3 Fire prevention



- Follow all safety consideration.
- Thermostatic switches or fuses never to bypass.
- Device never shield. Around the axis of the fitting (180°) must be maintained space for cooling. The fixture use only with original floor box (figure 1.1).
- LEDs never direct cover with filters or other materials.
- Allowing max. ambient temperature is 40°C (104°F).

LL A3 SPOT 07 IN GROUND is not suitable for standard dimming!

02 PRODUCT SPECIFICATION

02.1 Technical Specification

Lamp type:	7 x W/N Acriche *
Lifetime:	Over 35 000 hrs
Optic:	Standard 5°, on request: 25°, 40°, 60°
Max. input power:	28W
Power connection:	220-240V 50/60Hz AC 1,5m cable On request US version: 100-120V
Net weight:	2kg
IP:	IP67
Ambient temp. (Ta):	Maximum 40°C
Cooling:	Conventional
Materials and finish:	Powder painted aluminium RAL 9006 (other colours on request)
Installation:	In ground mounting

*Acriche: W-White (6300°K), N-Neutral White (3000°K)

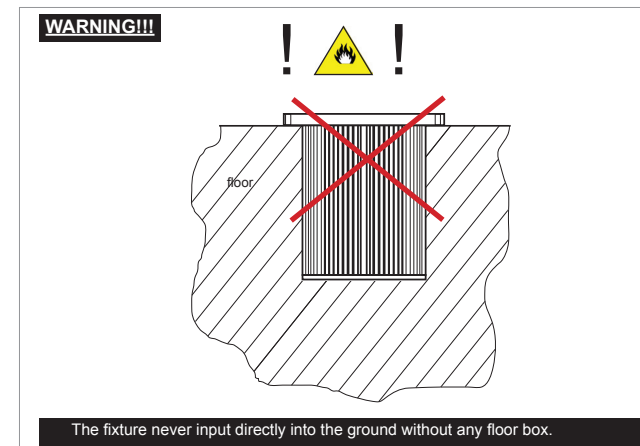
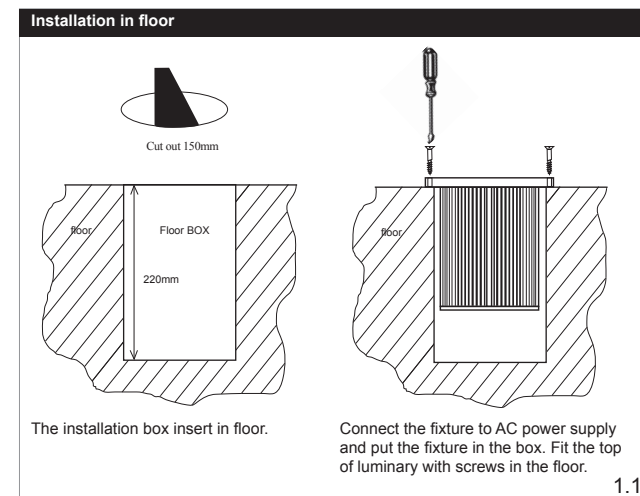
03 INSTALLATION

03.1 Unpacking

- Unpack carefully.
- This is electronic equipment and should be handled carefully.
- Damaged delivered package or if any mechanical parts broken – it must be claim immediately by the transport company. Photo pictures as evidence are valuable for future claim.

03.2 Physical installation

- The floor box install in slot. The fixture never input directly into the ground without any floor box.
- Hairbreadth from combustible materials is 0,5m.



03.3 Connecting to AC power



- **To tackle all Safety Information- 01!**
- For protection from electric shock, the device must be grounded (earthed)!
- It is not necessary to open the fixture before power supply. Make the power supply before insert the luminary into installation box.
- Power supply is solved simple with 1,5m cable

Cord plug connections:

Symbol	Pin	Wire Colour	Screw (US)
L	live	brown	yellow or brass
N	neutral	blue	silver
	ground (earth)	yellow/green	green

04 MAINTENANCE



- **To tackle all Safety Information- 01!**
- Damage caused by inadequate cleaning or maintenance is not covered by warranty.
- Regular cleaning is demand (dust, dirt, ...).

Maintenance policy:

- Unplug mains before maintenance and at least 10 minutes cool off
- Appliance do not illegal open or demount
- Clean-up dust only from outer surface.
- Use vacuum or dumpy duster (warm water)
- Before reinstalling to check failure-free state – no wet parts!

Order code	Product name
LL32 480	LL A3 SPOT 07 IN GROUND W
LL32 490	LL A3 SPOT 07 IN GROUND N
Accessories:	
LL41 455	LL BOX SPOT IN GROUND