

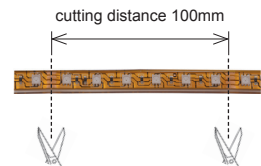
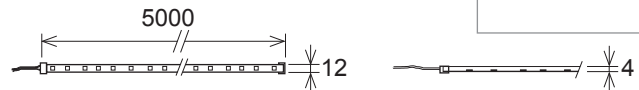
## USER MANUAL

### LL ARC FLEXI LINE

LL40 100 LL40 110 LL40 120

#### COMPLIMENTS ON YOUR PURCHASE!

All dimensions are in millimeters



#### Following items are included:

- LL ARC FLEXI LINE with 5 m cable and 6pin LINE connector 1 pc.
- User manual 1 pc.

#### Additional items needed:

- LL ARC DRIVER
- DC power supply 24V
- Controller compatible with DMX
- LL ARC FLEXI LINE accessories, end cups, clips
- Self adhesive 3M sticky tape

#### Content:

#### 01 SAFETY INFORMATION

- 01.1 Risk of eyes damage
- 01.2 Protection from electric shock
- 01.3 Fire prevention

#### 02 PRODUCT SPECIFICATION

- 02.1 Technical Specification

#### 03 INSTALLATION

- 03.1 Unpacking
- 03.2 Physical installation
- 03.3 Electrical installation
  - 03.3.1 Connecting to AC/DC power supply
  - 03.3.2 Connecting to LL ARC DRIVER for intensity/colour control

#### 04 MAINTENANCE

#### ENVIRONMENT



Do not throw away the appliance with the normal household waste at the end of its life, but hand it in at an official collection point for recycling. By doing this, you help to preserve the environment.

## 01 SAFETY INFORMATION



### WARNING!!!

Carefully read before installing, powering or servicing.  
Nothing to do if anything misunderstand! Installation can be done only by a qualified professional in accordance with relevant local codes.

#### 01.1 Risk of eyes damage



- Do not look directly into LED lamps.
- Do not look into light beam from a distance of less than 40 cm (16 inches)!

#### 01.2 Protection from electric shock



- Shut down power before installation or maintenance.
- Luminaries, Driver and recommended power supply must be installed by a qualified professional in accordance with relevant local codes. Only acceptable source of power and frequency that complies with local building and electrical codes to use.
- Do not use or do not connect the products if the power cable, power plug or fixtures are any way damaged, wet, or if they are overheating.
- Do not modify, alter, or attempt to service the LeaderLight appliance. Doing so will void the warranty.
- Before removing or installing any cover or part of appliance disconnect from power.

**Operation only with DC 24V source! By using a high voltage AC power supply - danger of electric shock!**

#### 01.3 Fire prevention



- Follow all safety consideration.
- Thermostatic switches or fuses never to bypass.
- Device never shield – minimum distance around fitting must be 50mm (2 in.).
- LEDs never direct cover with filters or other materials.
- Allowing max. ambient temperature is 40°C (104°F).

## 02 PRODUCT SPECIFICATION

#### 02.1 Technical Specification

<b>Lamp type:</b>	5000mm: 300 x RGB/N/W TOP LED *
<b>Lifetime:</b>	Long 50 000
<b>View Angle:</b>	120°
<b>Control data input:</b>	3/1 channels 24V dimming
<b>Input power:</b>	max. 72W
<b>Power connection:</b>	24V DC PWM
<b>Net weight:</b>	1kg
<b>Ambient temp. (Ta):</b>	max. +40°C
<b>Cooling:</b>	Conventional
<b>Materials and finish:</b>	High flebile plastic
<b>Installation:</b>	Surface mounting
<b>Materials and finish:</b>	High flebile plastic
<b>Installation:</b>	Any position for ceiling, wall and surface-mounting

\*\* Note: Cutting distance = 100mm

\*TOP LED: ■ R-Red, ■ G-Green, ■ B-Blue, ■ N-Neutral White (3000°K), ■ W-White (6300°K)

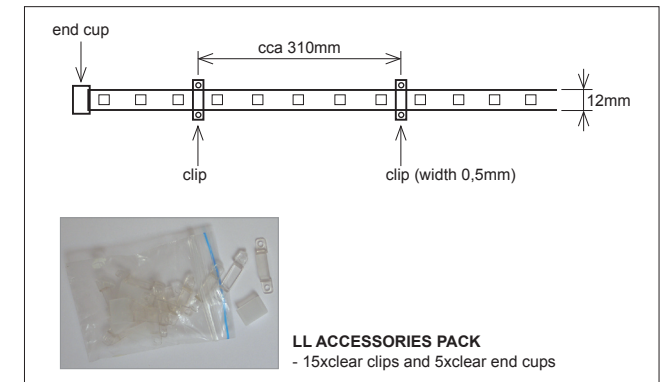
## 03 INSTALLATION

#### 03.1 Unpacking

- Unpack carefully.
- This is electronic equipment and should be handled carefully.
- Damaged delivered package or if are any mechanical parts broken – it must be claim immediately by the transport company. Photo pictures as evidence are valuable or future claim.

#### 03.2 Physical installation

- Loading capacity of bearing area has to be at least 10 times the weight of all device clusters (luminaries, clamps, cables, ...).
- Hairbreadth from combustible materials is 0,5m.
- LED strip fasten to the surface by the self adhesive 3M sticky tape or with clear clips (distance cca. 300mm).



#### 03.3 Electrical installation




- **To tackle all Safety Information- 01!**
- You can suffer a dangerous electric shock by using a high voltage AC/DC power supply - by touching the AC/DC power supply wires inside LL ARC FLEXI LINE!
- LL ARC FLEXI LINE can be operated in two ways:
  - 03.3.1 LL ARC FLEXI LINE connecting to DC POWER SUPPLY - for switch ON/OFF luminaries
  - 03.3.2 LL ARC FLEXI LINE connecting to LL ARC DRIVER - for intensity and colour control

#### 03.3.1 Connecting to DC power supply (Figure Nr. 1.1)

- LL FLEXI LINE must be connected to the device- MW power supply IN:100-260AC/ OUT: 24V.

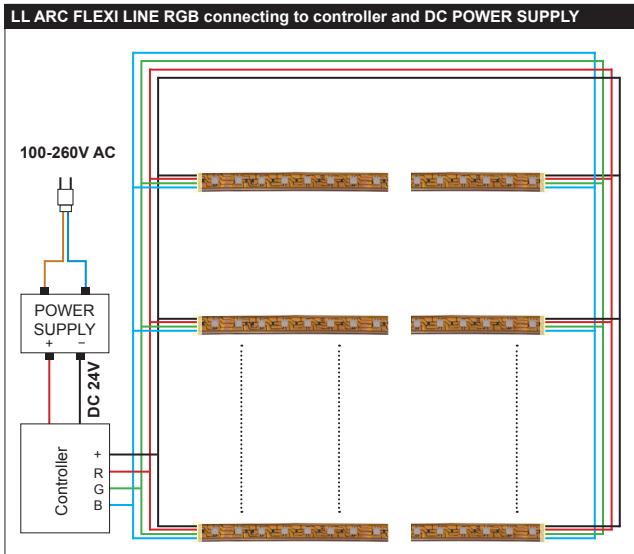
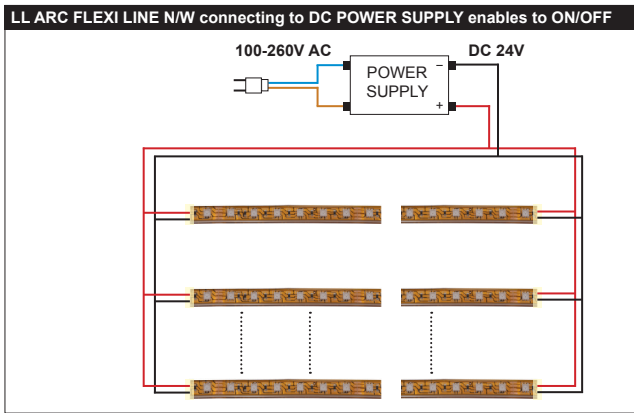
AC Power Supply Cord plug connections to MW Power supply:

Symbol	Pin	Wire Colour	Screw (US)
L	live	brown	yellow or brass
N	neutral	blue	silver
	ground (earth)	yellow/green	green

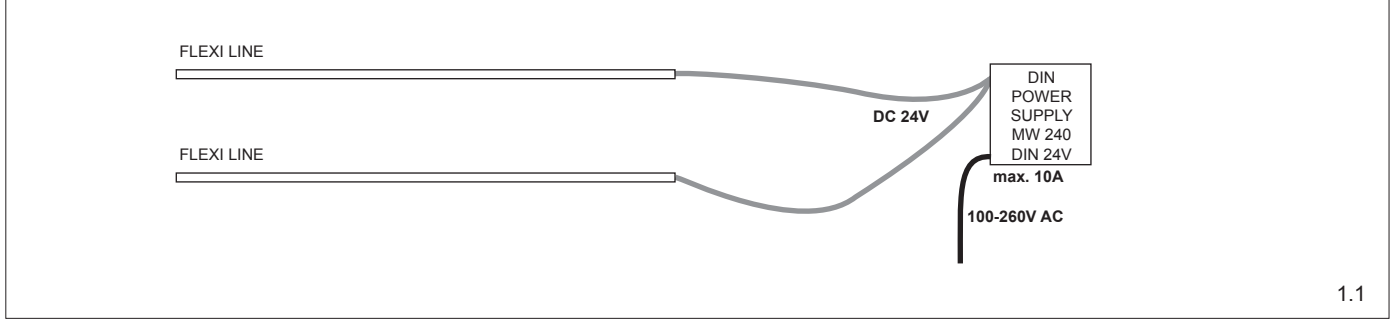
#### 03.3.2 Connecting to LL ARC DRIVER (Figure Nr. 1.2)

- For intensity and colour control is necessary connection with LL ARC DRIVER.
- It is not necessary to open fixture before connecting to LL ARC DRIVER.
- Before installing of LL ARC DRIVER carefully read USER MANUAL for LL ARC DRIVER.

Order code	Product name	Current
LL40 100	LL ARC FLEXI LINE RGB	3x1,00A
LL40 110	LL ARC FLEXI LINE N	3x1,00A
LL40 120	LL ARC FLEXI LINE W	3x1,00A
<b>Accessories:</b>		
LL41 800	LL ACCESSORIES PACK FLEXI LINE (5xend cup, 15xclip)	

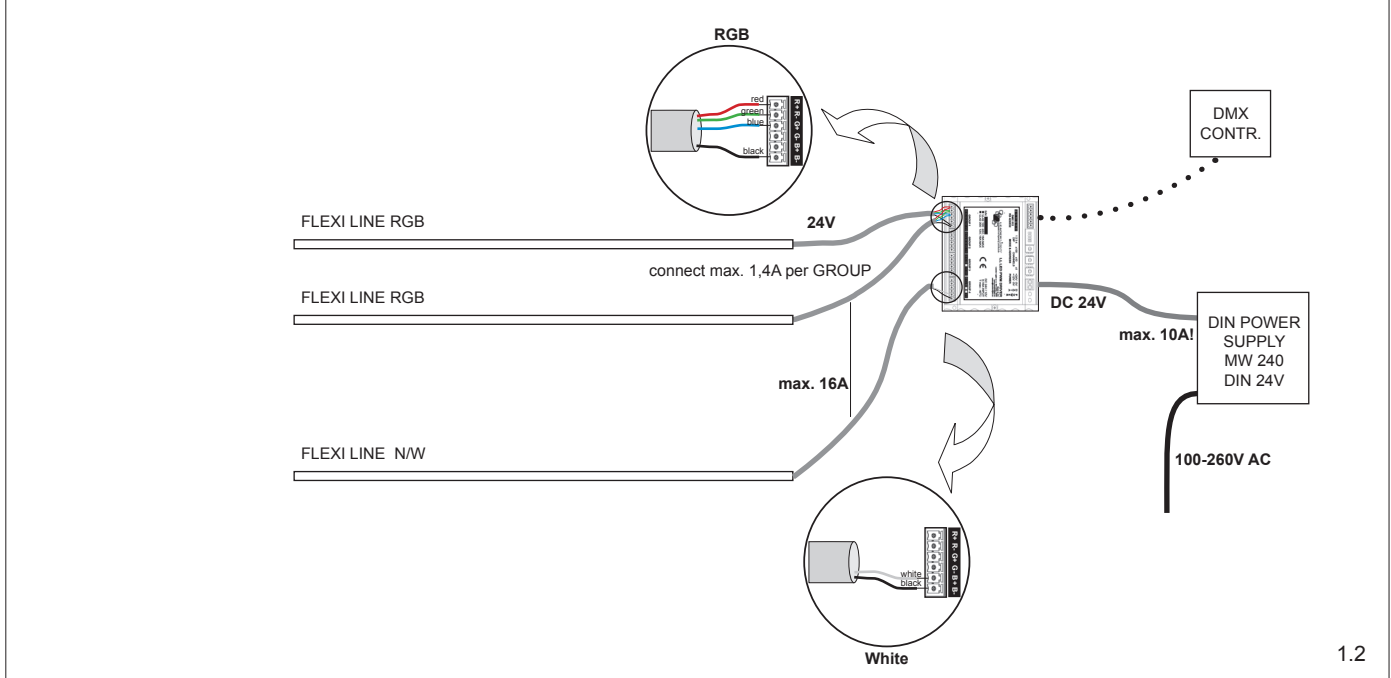


LL ARC FLEXI LINE One colour connecting to DIN POWER SUPPLY enables to switch ON/OFF luminaries.

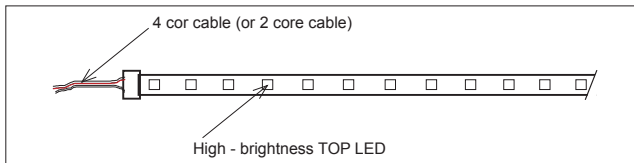


1.1

LL ARC FLEXI LINE connecting to PWM DRIVER and DIN POWER SUPPLY enables to switch ON/OFF luminaries and in addition intensity and colour control by DMX controller.



1.2



Product	Colour	LED QTY/1m	Lumen/1m	Voltage	Power/1m
LL ARC FLEXI LINE RGB	Red	60	120	DC24V	14,4 W
	Green		240		
	Blue		150		
LL ARC FLEXI LINE N	Neutral White	60	1080	DC24V	14,4 W
LL ARC FLEXI LINE W	White	60	1170	DC24V	14,4 W

#### 04 MAINTENANCE



- To tackle all Safety Information- 01!
- Damage caused by inadequate cleaning or maintenance is not covered by warranty.
- Regular cleaning is demand (dust, dirt, ...).

#### Maintenance policy:

- Unplug mains before maintenance and at least 10 minutes cool off
- Appliance do not illegal open or demount
- Clean-up dust only from outer surface
- Use vacuum or dumpy duster (warm water)
- Before reinstalling to check failure-free state – no wet parts!