

USER MANUAL

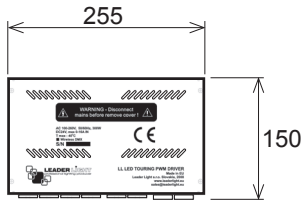
LL PRO DRIVER 12

LL42 500

COMPLIMENTS ON YOUR PURCHASE!



All dimensions are in millimeters



Following items are included:

- LL PRO DRIVER 12 1 pc.
- Power plug PowerCon "A" and "B" 1 pc.
- User manual 1 pc.

Additional items needed:

- Control cable
- Screws and washers 4xM

Content:

- 01 SAFETY INFORMATION**
 - 01.1 Protection from electric shock
 - 01.2 Fire prevention
- 02 PRODUCT SPECIFICATION**
 - 02.1 Technical Specification
 - 02.2 Front panel
- 03 INSTALLATION**
 - 03.1 Unpacking
 - 03.2 Physical installation
 - 03.3 Connecting to AC power
 - 03.4 DMX channels
- 04 MAINTENANCE**

ENVIRONMENT



Do not throw away the appliance with the normal household waste at the end of its life, but hand it in at an official collection point for recycling. By doing this, you help to preserve the environment.

01 SAFETY INFORMATION



WARNING!!!

Carefully read before installing, powering or servicing.
Nothing to do if anything misunderstand! Installation can be done only by a qualified professional in accordance with relevant local codes.

01.1 Protection from electric shock



- Shut down power before installation or maintenance.
- Drivers and recommended AC power supply must be installed by a qualified professional in accordance with relevant local codes. Only acceptable source of AC power and frequency that complies with local building and electrical codes to use.
- Do not use or do not connect the products if the power cable, power plug or box are any way damaged, wet, or if they are overheating.
- Do not modify, alter, or attempt to service the LeaderLight appliance. Doing so will void the warranty.
- Before removing or installing any cover or part of appliance disconnect it from AC power.
- Appliance always connect to earth (eltech).

01.2 Fire prevention



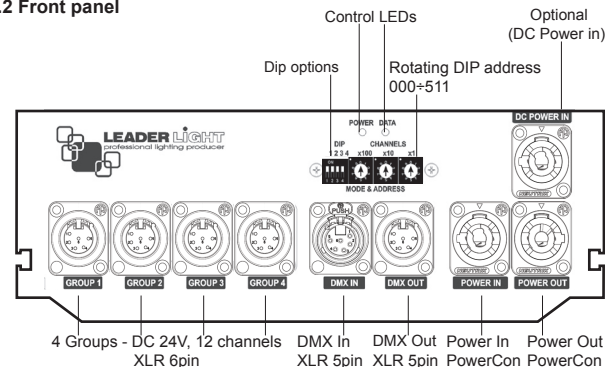
- Follow all safety consideration.
- Thermostatic switches or fuses never to bypass.
- Device never shield – minimum distance around ventilating slot must be 100mm (4 in.).
- Allowing max. ambient temperature is 40°C (104°F).

02 PRODUCT SPECIFICATION

02.1 Technical Specification

Power connection:	100-260V AC, 50-60Hz In/Out PowerCon
Power output:	DC 24V, 12xOut (4 x RGB / 3 x RGBW / 2 x RGBAW) with 4x6pin XLR connector max. 12A
Control data Input:	DMX512 In/Out with 5pin XLR
Net weight:	2,5kg
Ambient temp. (Ta):	-10°C ~ +40°C except outdoor box with cooling and heating module
Installation:	Any position for ceiling, wall and surface-mounting

02.2 Front panel



Control LEDs Indication

POWER ● DATA ●

LED	INDICATION	STATUS
POWER (Red)	blinking – 2Hz	OK - inside fixture is everything correct
DATA (Green)	light off	NO DMX512 signal
DATA (Green)	blinking – 4Hz	OK- income correct DMX512 signal
DATA (Green)	fast blinking	NON correct digital signal
POWER (Red)	alternate blinking	Autotest function
DATA (Green)		

03 INSTALLATION

03.1 Unpacking

- Unpack carefully.
- This is electronic equipment and should be handled carefully.
- Damaged delivered package or if are any mechanical parts broken – it must be claim immediately by the transport company. Photo pictures as evidence are valuable for future claim.

03.2 Physical installation

- Loading capacity of bearing area has to be at least 10 times the weight of all device clusters (luminaries, clamps, cables, ...).

03.3 Connecting to AC power



- **To tackle all Safety Information- 01!**
- For protection from electric shock, the device must be grounded (earthed)!
- It is not necessary to open the driver before power supply. Power supply is solved simple with Neutrik PowerCon connectors.
- The driver is equipped with auto-switching power supply that automatically adjusts to any 50-60Hz AC power source from 100-260V.
- Cord plug connections:

Symbol	Pin	Wire Colour	Screw (US)
L	live	brown	yellow or brass
N	neutral	blue	silver
⊕	ground (earth)	yellow/green	green

03.4 DMX channels - subject to change

- Shut down power supply before installation of DRIVER to LED fixtures.
- Total current output of DRIVER is limited for maximum 16A!
- The latest version of DMX channels appendix are on the websites - www.leaderlight.eu

Mode 1: DIP2=Off and DIP3=Off

channel 1,13,25 =	Red 1
channel 2,14,26 =	Green 1
channel 3,15,27 =	Blue 1
channel 4,16,28 =	Red 2
channel 5,17,29 =	Green 2
channel 6,18,30 =	Blue 2
channel 7,19,31 =	Red 3
channel 8,20,32 =	Green 3
channel 9,21,33 =	Blue 3
channel 10,22,34 =	Red 4
channel 11,23,35 =	Green 4
channel 12,24,36 =	Blue 4

Mode 2: DIP2=Off and DIP3=On

channel 1,13,25 =	Red 1
channel 2,14,26 =	Green 1
channel 3,15,27 =	Blue 1
channel 4,16,28 =	White 1
channel 5,17,29 =	Red 2
channel 6,18,30 =	Green 2
channel 7,19,31 =	Blue 2
channel 8,20,32 =	White 2
channel 9,21,33 =	Red 3
channel 10,22,34 =	Green 3
channel 11,23,35 =	Blue 3
channel 12,24,36 =	White 3

Mode 3: DIP2=Off and DIP3=On

channel 1,11,21 =	Red 1
channel 2,12,22 =	Green 1
channel 3,13,23 =	Blue 1
channel 4,14,24 =	Amber 1
channel 5,15,25 =	White 1
channel 6,16,26 =	Red 2
channel 7,17,27 =	Green 2
channel 8,18,28 =	Blue 2
channel 9,19,29 =	Amber 2
channel 10,20,30 =	White 2

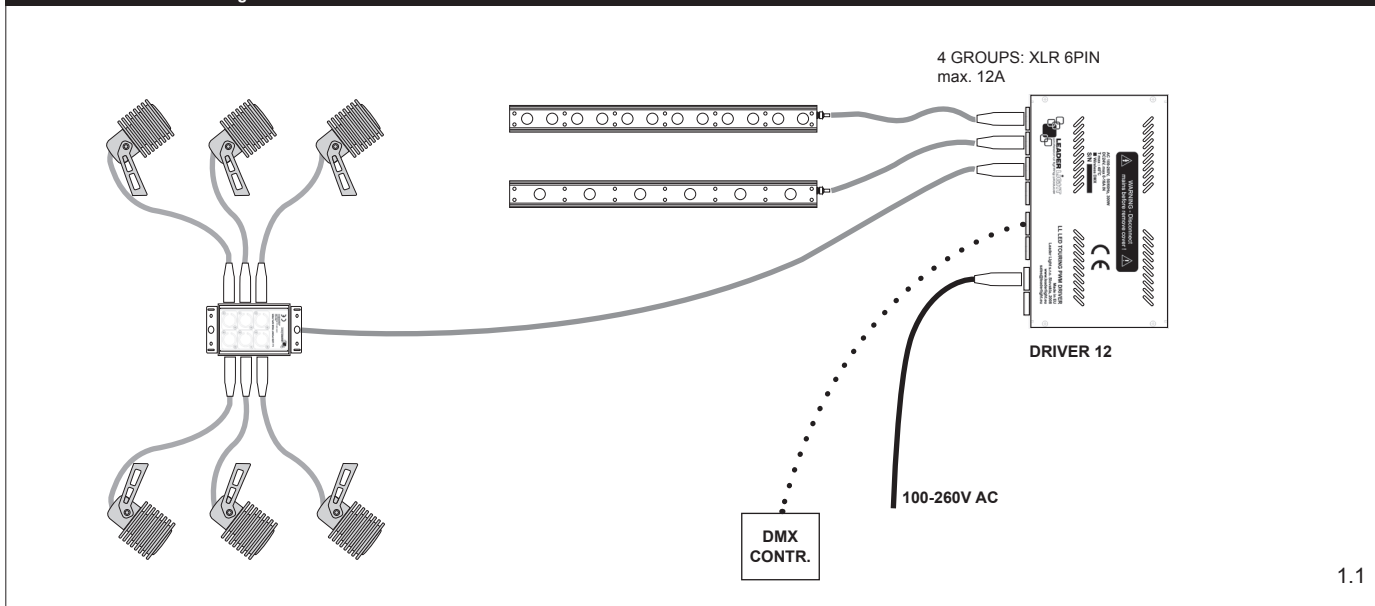
Mode 4: DIP2=On and DIP3=On

channel 1,11,21 =	Red 1
channel 2,12,22 =	Green 1
channel 3,13,23 =	Blue 1
channel 4,14,24 =	White 1
channel 5,15,25 =	Amber 1
channel 6,16,26 =	Red 2
channel 7,17,27 =	Green 2
channel 8,18,28 =	Blue 2
channel 9,19,29 =	White 2
channel 10,20,30 =	Amber 2

Extention and control functions:

Dip4=Off, Dip1=Off =>DipBCD:	use rotating switch for DMX start address (RS1 - "100", RS2- "10", RS3- "1") from 001 to 512
DipBCD=9xx:	AutoTest: fade-over
DipBCD=8xx:	AutoTest: al channels on 50%
Dip1=On:	switch Paralel mode
Dip4=On:	switch UltraSoft curve

LL PRO DRIVER 12 connecting



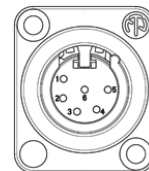
Connection conditions:

- Maximal current on DRIVER is 12A
- Maximal allowed current on each connector terminal is 1,4A
- Never use more fittings as maximal allowed amount
- LL PRO DRIVER 12 is calculated only for LL PRO LED products

Amount of channels per LL PRO DRIVER 12:

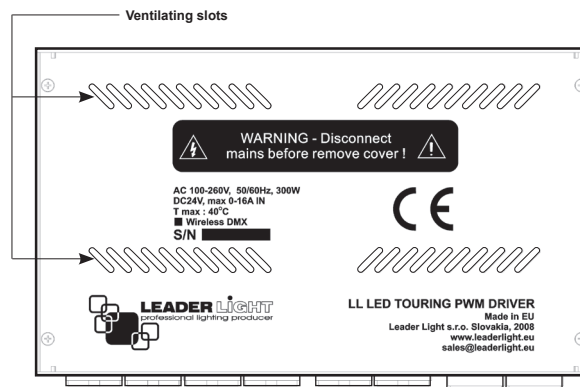
4x	RGB	12 channels
3x	RGBW	12 channels
2x	RGBAW	10 channels

or many another combinations



Pin connection to corresponding colour:

- 1 - R
- 2 - G
- 3 - B
- 4 - A (optional)
- 5 - W (optional)
- 6 - V+



Order code	Product name	I _{max.} (A)
LL42 500	LL PRO DRIVER 12	max. 12,5A

04 MAINTENANCE



- To tackle all Safety Information- 01!
- Damage caused by inadequate cleaning or maintenance is not covered by warranty.
- Regular cleaning is demand (dust, dirt, ...).

Maintenance policy:

- Unplug mains before maintenance and at least 10 minutes cool off
- Appliance do not illegal open or demount
- Clean-up dust only from outer surface.
- Use vacuum or dumpy duster (warm water)
- Before reinstalling to check failure-free state – no wet parts!