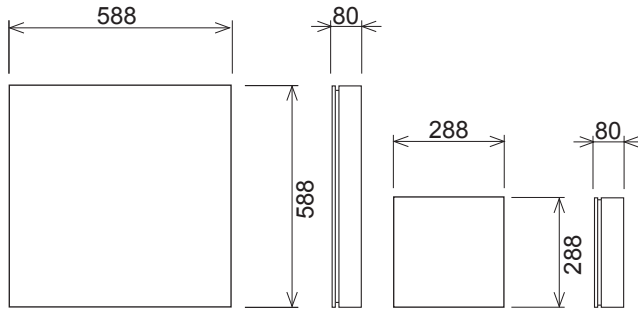
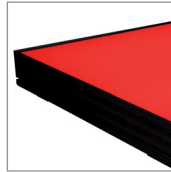


## USER MANUAL

### LL PRO PANEL LL50 400 | LL50 440

#### COMPLIMENTS ON YOUR PURCHASE!

All dimensions are in millimeters



#### Following items are included:

- LL PRO PANEL RGB with 5m cable and XLR 6pin connector 1 pc.
- User manual 1 pc.

#### Additional items needed:

- LL PRO DRIVER12/36 1 pc.
- Controller compatible with DMX 1 pc.
- Surface mounting:
- LL HOLDER PANEL SURFACE 1 pc.
- Screws and washers M12 4 pcs.

#### Content:

#### 01 SAFETY INFORMATION

- 01.1 Risk of eyes damage
- 01.2 Protection from electric shock
- 01.3 Fire prevention

#### 02 PRODUCT SPECIFICATION

- 02.1 Technical Specification

#### 03 INSTALLATION

- 03.1 Unpacking
- 03.2 Physical installation
- 03.3 Connecting to DC power supply

#### 04 MAINTENANCE

#### ENVIRONMENT



Do not throw away the appliance with the normal household waste at the end of its life, but hand it in at an official collection point for recycling. By doing this, you help to preserve the environment.

#### 01 SAFETY INFORMATION



#### WARNING!!!

Carefully read before installing, powering or servicing.  
Nothing to do if anything misunderstand! Installation can be done only by a qualified professional in accordance with relevant local codes.

##### 01.1 Risk of eyes damage



- Do not look directly into LED lamps.
- Do not look into light beam from a distance of less than 40 cm (16 inches)!

##### 01.2 Protection from electric shock



- Shut down power before installation or maintenance.
- Luminaries, Driver and recommended power supply must be installed by a qualified professional in accordance with relevant local codes. Only acceptable source of power and frequency that complies with local building and electrical codes to use.
- Do not use or do not connect the products if the power cable, power plug or fixtures are any way damaged, wet, or if they are overheating.
- Do not modify, alter, or attempt to service the LeaderLight appliance. Doing so will void the warranty.
- Before removing or installing any cover or part of appliance disconnect from power.

**Operation only with DC 24V source!**  
**By using a high voltage AC power supply - danger of electric shock!**

##### 01.3 Fire prevention



- Follow all safety consideration.
- Thermostatic switches or fuses never to bypass.
- Device never shield.
- Minimum distance from the surrounding objects must be 100mm (4 in.).
- LEDs never direct cover with filters or other materials.
- Allowing max. ambient temperature is 40°C (104°F).

#### 02 PRODUCT SPECIFICATION

##### 02.1 Technical Specification

<b>Lamp type:</b>	288x288 mm: 36 x RGB TOP LED * 588x588 mm: 144 x RGB TOP LED *
<b>Lifetime:</b>	Long 100 000 hours 60% degradation
<b>Control data Input:</b>	3 channels, standard LL PRO DRIVER
<b>Power connection:</b>	24V 5m cable with XLR 6pin
<b>Net weight:</b>	3,5kg/5,5kg
<b>IP:</b>	IP20
<b>Ambient temp. (Ta):</b>	Maximum 40°C
<b>Cooling:</b>	Conventional
<b>Materials and finish:</b>	Housing: anodized aluminium black (other colours on request) Cover: plexiglass with special foile
<b>Installation:</b>	Surface, recessed or semi-recessed mounting

\* TOP LED: ■ R-Red, ■ G-Green, ■ B-Blue

#### 03 INSTALLATION

##### 03.1 Unpacking

- Unpack carefully.
- This is electronic equipment and should be handled carefully.
- Damaged delivered package or if are any mechanical parts broken – it must be claim immediately by the transport company. Photo pictures as evidence are valuable for future claim.

##### 03.2 Physical installation


- Loading capacity of bearing area has to be at least 10 times the weight of all device clusters (luminaries, clamps, cables, ...).
- Hairbreadth from combustible materials is 0,5m.
- The LL PRO PANEL is designed for use in a 600mm grid suspended ceiling with T profile (Figure Nr. 1.1) or for surface installation with LL41 600 (Figure Nr. 1.2).

##### 03.3 Connecting to DC power supply



- **To tackle all Safety Information- 01!**
- You can suffer a dangerous electric shock by using a high voltage AC/DC power supply - by touching AC/DC power supply the wires inside the unit!
- LL PRO PANEL RGB operate with the LL PRO DRIVER In:100-260AC/ Out: 24V.
- It is not necessary to open the fixture before connecting to LL PRO DRIVER.
- Pull the XLR 6pin cable connector from fixture to the LL PRO DRIVER (Figure Nr. 2.1).

AC Power Supply Cord plug connections to LL PRO DRIVER:

Symbol	Pin	Wire Colour	Screw (US)
L	live	brown	yellow or brass
N	neutral	blue	silver
	ground (earth)	yellow/green	green

#### 04 MAINTENANCE

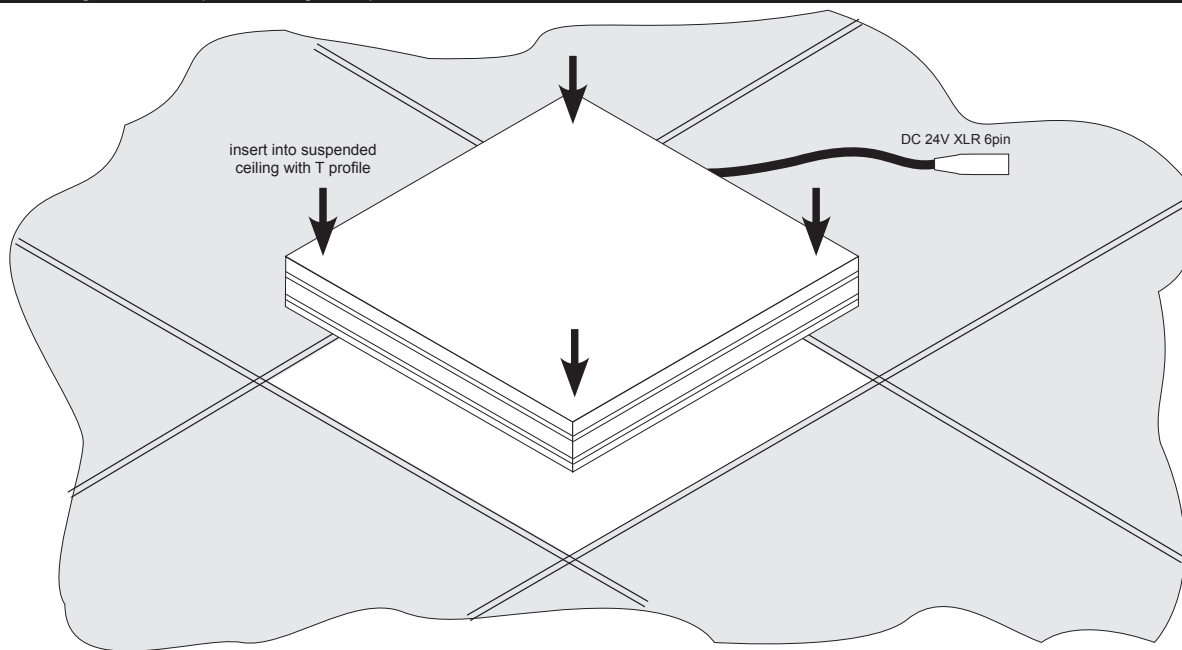


- **To tackle all Safety Information- 01!**
- Damage caused by inadequate cleaning or maintenance is not covered by warranty.
- Regular cleaning is demand (dust, dirt, ...).

#### Maintenance policy:

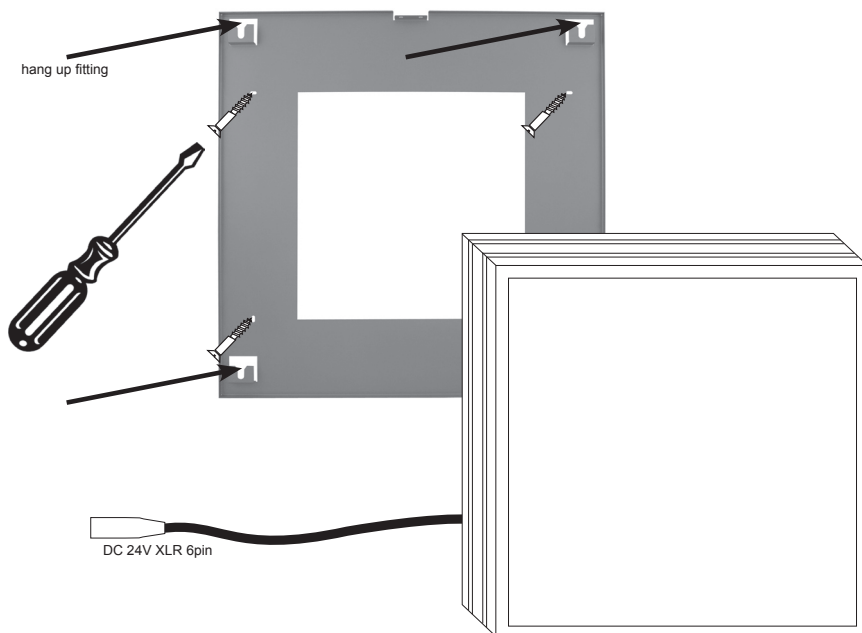
- Unplug mains before maintenance and at least 10 minutes cool off
- Appliance do not illegal open or demount
- Clean-up dust only from outer surface (for ex. scuttle, diffuser and lenses).
- Use vacuum or dumpy duster (warm water)
- Before reinstalling to check failure-free state – no wet parts!

Recessed mounting in 600mm suspended ceiling with T profile



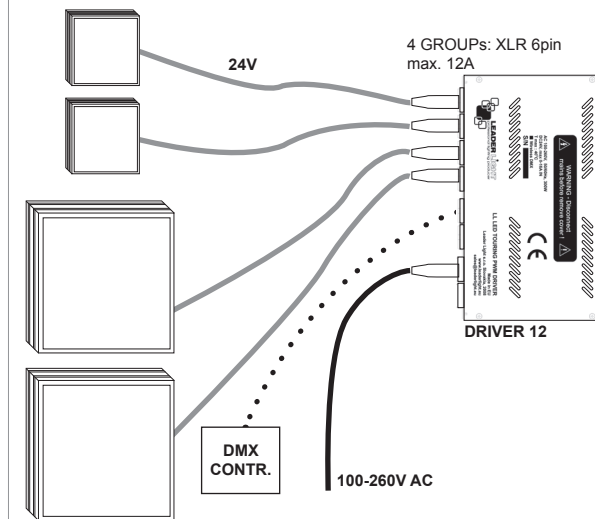
1.1

Surface installation with LL41 600



1.2

LL PRO PANEL connecting to LL PRO DRIVER 12



2.1

Order code	Product name	Current
LL50 400	LL PRO PANEL RGB 300	3x0,12A
LL50 440	LL PRO PANEL RGB 600	3x0,48A
<b>Accessories:</b>		
LL41 600	LL HOLDER PANEL 600 SURFACE	

If you have any question please, contact [support@leaderlight.sk](mailto:support@leaderlight.sk)