



LEADER LIGHT s.r.o.
M.Gorkeho 33
052 01 Spisska Nova Ves
Slovakia
www.leaderlight.eu

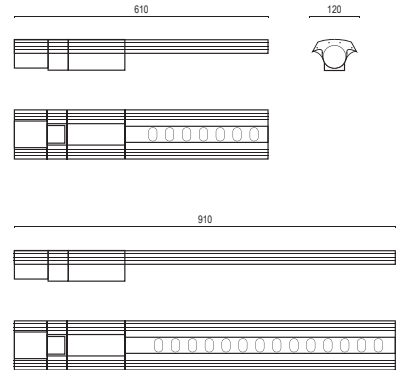
LEADER LIGHT

USER MANUAL

LL STREET PS60/PS90

COMPLIMENTS ON YOUR PURCHASE!

All dimensions are in millimeters



Package includes:

- LL STREET 1pc.
- User manual 1pc.

Additional items needed:

- Mounting accessories as necessary

Content:

- 01 SAFETY INFORMATION**
 - 01.1 Risk of eyes damage
 - 01.2 Safety instructions
 - 01.3 Fire protection
- 02 PRODUCT SPECIFICATION**
 - 02.1 Technical specification
 - 02.2 Product description
- 03 INSTALLATION**
 - 03.1 Unpacking
 - 03.2 Physical installation
 - 03.3 Connection
- 04 MAINTENANCE AND SERVICE**

ENVIRONMENTAL PROTECTION

Do not throw away the appliance with the normal household waste at the end of its life, but hand it in at an official collection point for recycling. By doing this, you help to preserve the environment.



01 SAFETY INFORMATION



WARNING!!!

Carefully read before installing, powering or servicing. Nothing to do if anything misunderstand! Installation can be done only by a qualified professional in accordance with relevant local codes.

01.1 Risk of eyes damage

- Do not look directly into LED lamps.
- Do not look into light beam from a distance of less than 40 cm (16 inches)!



01.2 Safety instructions

- Shut down power before installation or maintenance.
- Do not modify, alter, or attempt to service the LEADER LIGHT appliance. Doing so will void the warranty.
- Appliance and recommended AC power supply must be installed by a qualified professional in accordance with relevant local codes. Use only acceptable source of AC power and frequency that complies with local building and electrical codes.
- Use only the recommended voltage source.
- Appliance always connect to earth (eltech.)!
- Do not use or do not connect the products if the power cable, power plug or fixtures are any way damaged, wet, or if they are overheating.
- Before removing or installing any cover or part of appliance disconnect it from AC power.
- AC power supply must be protected against overvoltage and short circuits.



01.3 Fire protection

- Follow all safety restrictions.
- Thermostatic switches or fuses never to bypass.
- Device never shield. Around the axis of the fitting (180°) must be maintained space for cooling. Minimum distance from the surrounding objects must be 100mm (4 in.).
- LEDs never direct cover with filters or other materials.
- Allowing max. ambient temperature is 40°C (104°F).

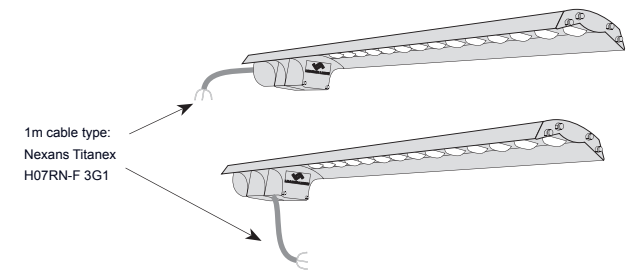


02 PRODUCT SPECIFICATION

02.1 Technical specification

Lamp source	7/ 14x LED
Max. input power	30W,20W/ 60W ,45W
Optic	Special street LED optic
Colour Rendering Index (CRI)	> 75
Lifetime	75.000 hours (70% lumen maintenance at T _a =25°C)
Power connection	AC90-264V, 47-63Hz
Light Colour temperature	Standard: 5.000K; Optional:3.000K, 4.000K, 6.000K
Ambient temp. (Ta)	Standard: -30°C<T _a < 40°C; Option COLD: -40°C<T _a < 40°C Option HOT: -30°C<T _a < 55°C
Weight	2,80kg/ 4,80kg
Cooling	Conventional
Materials and finish	Natural anodized aluminium
Installation	Side/Top pole entry: Ø 60 mm

02.2 Product description



NOTE! To connect the mains use only approved cable joiner suitable for outdoor applications.

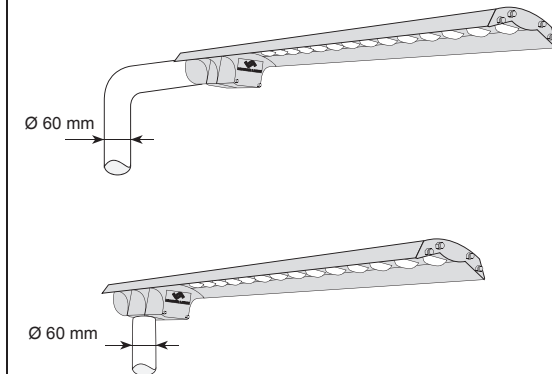
03 INSTALLATION

03.1 Unpacking

- Unpack carefully.
- This is electronic equipment and should be handled carefully.
- Damaged delivered package or if are any mechanical parts broken – it must be claim immediately by the transport company. Photo pictures as evidence are valuable for future claim.

03.2 Physical installation

- On the standard Ø 60mm pole with top/side entry.



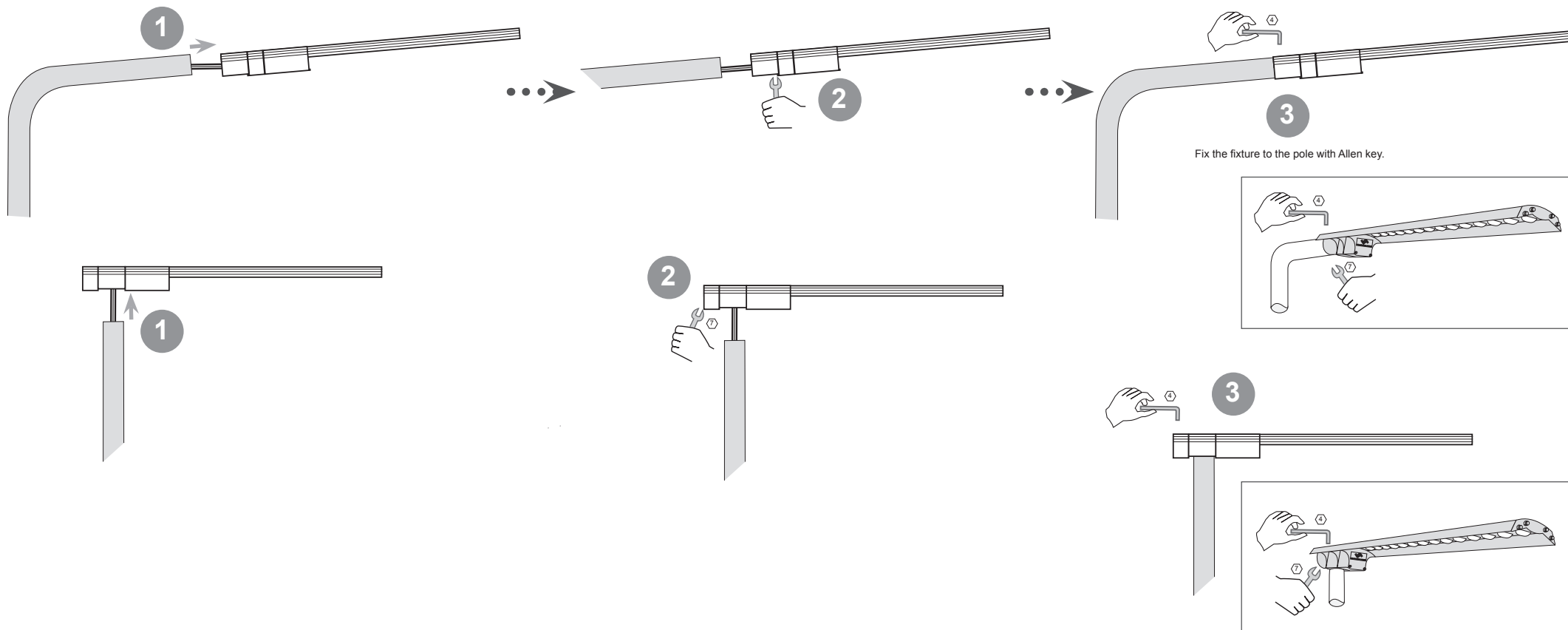
03.3 Connection

- Respect all SAFETY INFORMATION 01!
- Connect the ground (earth) !
- The fixture is equipped with auto-switching power supply that automatically adjusts to any 47-63Hz AC power source from 90-264V.
- Cord plug connections:



Symbol	Pin	Wire Colour	Screw (US)
L	live	brown	yellow or brass
N	neutral	blue	silver
⏚	ground (earth)	yellow/green	green

1. Mechanical mounting of LL STREET PS/PT



04 MAINTENANCE AND SERVICE



- Before any maintenance is necessary to carefully read all **SAFETY INFORMATION 01!**
- Damages caused by inadequate cleaning or maintenance are not covered by warranty.
- Requires occasional cleaning (dust, dirt ,...)

Procedure for maintenance:

- Unplug mains before maintenance and at least 10 minutes cool off.
- Appliance do not illegal open or demount.
- Clean-up dust only from outer surface.

Service:

- Customer service provided by the manufacturer.

IP67

90V
264V