



LEADER LIGHT s.r.o.  
M.Gorkeho 33  
052 01 Spisska Nova Ves  
Slovakia  
www.leaderlight.eu

# LEADER LIGHT

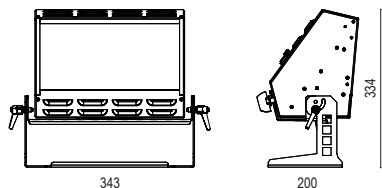
## USER MANUAL

### LL STAGE CYC 6C / 3C / 2C / 1C



#### COMPLIMENTS ON YOUR PURCHASE!

All dimensions are in millimeters



#### Package includes:

- LL STAGE CYC with adj. bracket 1pc.
- User manual 1pc.

#### Additional items needed:

- Data and power cables
- Controller compatible with DMX 1pc.
- Mounting accessories as necessary

#### Content:

- 01 SAFETY INFORMATION**
  - 01.1 Risk of eyes damage
  - 01.2 Safety instructions
  - 01.3 Fire protection
- 02 PRODUCT SPECIFICATION**
  - 02.1 Technical specification
  - 02.2 Product description
- 03 INSTALLATION**
  - 03.1 Unpacking
  - 03.2 Physical installation
  - 03.3 Connection
  - 03.4 Control data connection
  - 03.5 DMX channels
- 04 PERMANENT USE LIMITATIONS**
- 05 MAINTENANCE AND SERVICE**

#### ENVIRONMENTAL PROTECTION

Do not throw away the appliance with the normal household waste at the end of its life, but hand it in at an official collection point for recycling. By doing this, you help to preserve the environment.



## 01 SAFETY INFORMATION



### WARNING!!!

Carefully read before installing, powering or servicing. Nothing to do if anything misunderstand! Installation can be done only by a qualified professional in accordance with relevant local codes.

### 01.1 Risk of eyes damage

- Do not look directly into LED lamps.
- Do not look into light beam from a distance of less than 40 cm (16 inches)!



### 01.2 Safety instructions

- Shut down power before installation or maintenance.
- Do not modify, alter, or attempt to service the LEADER LIGHT appliance. Doing so will void the warranty.
- Appliance and recommended AC power supply must be installed by a qualified professional in accordance with relevant local codes. Use only acceptable source of AC power and frequency that complies with local building and electrical codes.
- Use only the recommended voltage source.
- Appliance always connect to earth (eltech.)!
- Do not use or do not connect the products if the power cable, power plug or fixtures are any way damaged, wet, or if they are overheating.
- Before removing or installing any cover or part of appliance disconnect it from AC power.
- AC power supply must be protected against overvoltage and short circuits.



### 01.3 Fire protection

- Follow all safety restrictions.
- Thermostatic switches or fuses never to bypass.
- Device never shield. Around the axis of the fitting (180°) must be maintained space for cooling. Minimum distance from the surrounding objects must be 100mm (4 in.).
- LEDs never direct cover with filters or other materials.
- Allowing max. ambient temperature is 40°C (104°F).
- Luminaries never use without mounting brackets. The housing never install directly to the surface.



## 02 PRODUCT SPECIFICATION

### 02.1 Technical specification

**Power connection:** AC 90 – 264 V, 47 – 63 Hz In/Out PowerCon

**IP:** IP20

**Control data:** DMX 512 In/Out with XLR 5pin

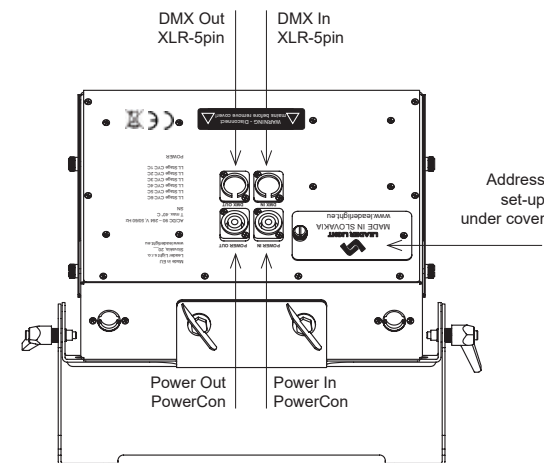
**Ambient temp. (Ta):** Maximum 40°C

**Net weight:** 5kg

**Installation:** Surface mounting

**Cooling:** Active 5 dB @ 1 m

## 02.2 Product description



## 03 INSTALLATION

### 03.1 Unpacking

- Unpack carefully.
- This is electronic equipment and should be handled carefully.
- Damaged delivered package or if are any mechanical parts broken – it must be claim immediately by the transport company. Photo pictures as evidence are valuable for future claim.

### 03.2 Physical installation

- Loading capacity of bearing area has to be at least 10 times the weight of all device clusters.
- Hairbreadth from combustible materials is 0,5m.

### 03.3 Connection

- Respect all SAFETY INFORMATION 01!
- Connect the ground (earth) !
- It is not necessary to open the fixture before power supply. Power supply is solved simple with Neutrik PowerCon connectors.
- The fixture is equipped with auto-switching power supply that automatically adjusts to any AC 90 – 264 V, 47 – 63 Hz.
- Cord plug connections:

| Symbol | Pin            | Wire Colour  | Screw (US)      |
|--------|----------------|--------------|-----------------|
| L      | live           | brown        | yellow or brass |
| N      | neutral        | blue         | silver          |
| ⊕      | ground (earth) | yellow/green | green           |



### 03.4 Control data connection

- Control data cable length is specified by Norm IEC929 Annex E4.
- It is not necessary to open the fixture before connecting of DMX512 control signal. Interconnections are realized by Neutrik XLR 5pin In/Out connectors.

### 03.5 DMX channels

See the relevant Appendix!

*These informations are subject to change. latest data are on: [www.leaderlight.eu](http://www.leaderlight.eu)*

### 04 PERMANENT USE LIMITATIONS FOR HEATING DISSIPATION

- Permanent use limitations for heating dissipation of LL STAGE CYC - body temperature must be less than 55°C

### 05 MAINTENANCE AND SERVICE



- Before any maintenance is necessary to carefully read all **SAFETY INFORMATION 01!**
- Damages caused by inadequate cleaning or maintenance are not covered by warranty.
- Requires periodic cleaning (dust, dirt ,...)

#### Procedure for maintenance:

- Unplug mains before maintenance and at least 10 minutes cool off.
- Appliance do not illegal open or demount.
- Clean-up dust only from outer surface. Use vacuum or dumpy duster (warm water)
- Before reinstalling make sure everything is intact and dry– no wet parts!

#### Service:

- Customer service provided by the manufacturer.

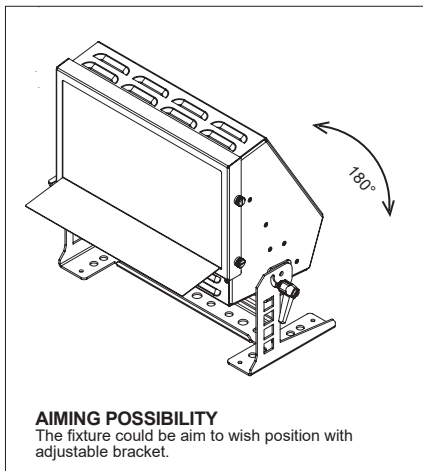
### Mechanical mounting of LL STAGE CYC

Mounting on stage is easy. The brackets are connect by Camlocs.



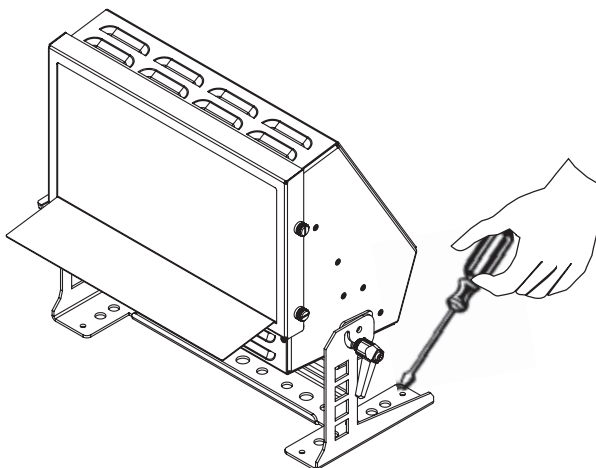
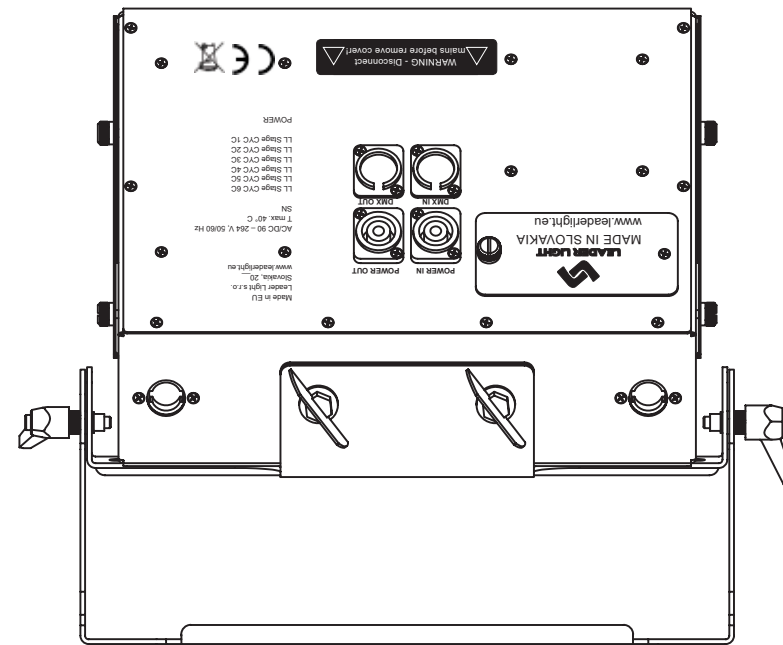
#### Camloc 1/4 turn fasteners

- Safe mechanical quick release fastener systems
- Locking/unlocking by quarter turn
- Hand operated
- Service-friendly, time-saving and cost cutting
- Vibration-resistant



#### AIMING POSSIBILITY

The fixture could be aim to wish position with adjustable bracket.



Screw the BRACKET to the surface/structure at least in 4 points

### ACCESSORIES



LL STAGE CYC TUBUS



LL STAGE CYC POLE OPERATION BRACKET