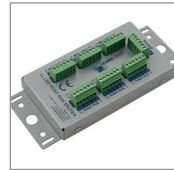


## USER MANUAL

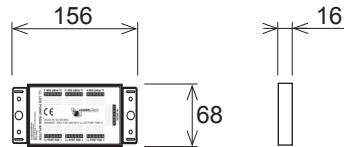
### LL ARC SPLITTER RGB

LL41 420

#### COMPLIMENTS ON YOUR PURCHASE!



All dimensions are in millimeters



#### Following items are included:

- LL ARC SPLITTER RGB with 7x 6 pin LINE connector 1 pc.
- User manual 1 pc.

#### Additional items needed:

- ARC DRIVER
  - DC power supply 24V
  - Controller compatible with DMX
- Surface mounting:
- Screws and washers 4x M5, 2xM10

#### Content:

- 01 SAFETY INFORMATION**
  - 01.1 Protection from electric shock
  - 01.2 Fire prevention
- 02 PRODUCT SPECIFICATION**
  - 02.1 Technical Specification
  - 02.2 Top panel
- 03 INSTALLATION**
  - 03.1 Unpacking
  - 03.2 Physical installation
  - 03.3 Connecting to fixtures
  - 03.4 Installation factors
- 04 MAINTENANCE**

#### ENVIRONMENT



Do not throw away the appliance with the normal household waste at the end of its life, but hand it in at an official collection point for recycling. By doing this, you help to preserve the environment.

## 01 SAFETY INFORMATION



### WARNING!!!

Carefully read before installing, powering or servicing.  
Nothing to do if anything misunderstand! Installation can be done only by a qualified professional in accordance with relevant local codes.

### 01.1 Protection from electric shock



- Shut down power before installation or maintenance.
- Splitter, Luminaries, Driver and recommended power supply must be installed by a qualified professional in accordance with relevant local codes. Only acceptable source of power and frequency that complies with local building and electrical codes to use.
- Do not use or do not connect the products if the power cable, power plug or unit are any way damaged, wet, or if they are overheating.
- Do not modify, alter, or attempt to service the LeaderLight appliance. Doing so will void the warranty.
- Before removing or installing any cover or part of appliance disconnect from power.

Operation only with DC 24V source!  
By using a high voltage AC power supply - danger of electric shock!

### 01.2 Fire prevention



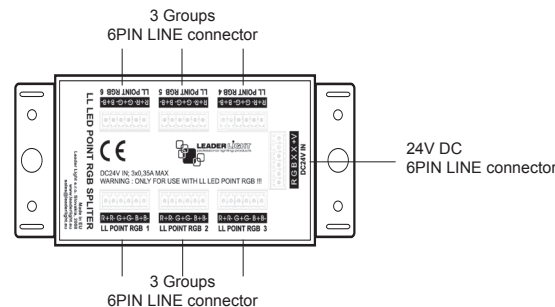
- Follow all safety considerations.
- Device never shield – minimum distance around must be 100mm (4 in.).
- Allowing max. ambient temperature is 40°C (104°F).

## 02 PRODUCT SPECIFICATION

### 02.1 Technical Specification

<b>Input:</b>	24V DC with 6pin LINE connector
<b>Output:</b>	6xOut with 6pin LINE connector
<b>Net weight:</b>	0,2kg
<b>IP:</b>	IP20
<b>Ambient temp. (Ta):</b>	Maximum 40°C
<b>Cooling:</b>	Conventional
<b>Materials and finish:</b>	Powder-painted anodized aluminium RAL9006 (other colours on request)
<b>Installation:</b>	Surface mounting

### 02.2 Top panel



## 03 INSTALLATION

### 03.1 Unpacking

- Unpack carefully.
- This is electronic equipment and should be handled carefully.
- Damaged delivered package or if are any mechanical parts broken – it must be claim immediately by the transport company. Photo pictures as evidence are valuable for future claim.

### 03.2 Physical installation

- Loading capacity of bearing area has to be at least 10 times the weight of all device clusters (splitter, driver, cables, ...).

### 03.3 Connecting to the fixtures

- **To tackle all Safety Information- 01!**
- You can suffer a dangerous electric shock by using a high voltage AC/DC power supply - by touching the AC/DC power supply wires inside LL ARC SPLITTER!
- LL ARC SPLITTER use only with LL ARC POINT.
- After installing the LL ARC DRIVER you are ready to make the connections from fixtures to LL ARC SPLITTER.
- It is not necessary to open fixture before connecting to LL ARC SPLITTER.
- Pull the 6PIN line connector from the fixtures to the LL ARC SPLITTER output.
- LL ARC SPLITTER operate with LL ARC DRIVER.
- Connection ability - see pictures "Electrical Connections" (Figure Nr. 1.1 - 1.3).

### 03.4 Installation factors

#### Connection conditions:

- Each SPLITTER Out to fitting must be connected
- Maximal allowed current on SPLITTER Out is 3x0,35A
- Never use more fittings as maximal allowed amount
- LL ARC SPLITTER RGB is calculated only for LL ARC POINT OneChip RGB fixtures

### WARNING!!!

LL ARC SPLITTER RGB operate only with LL ARC POINT RGB!

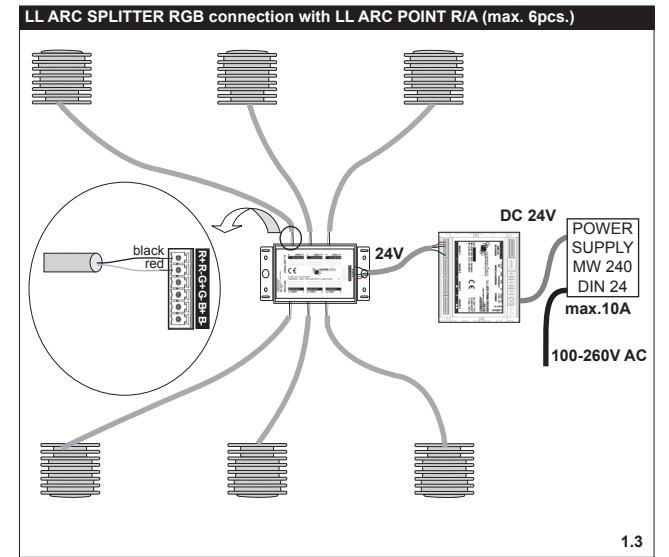
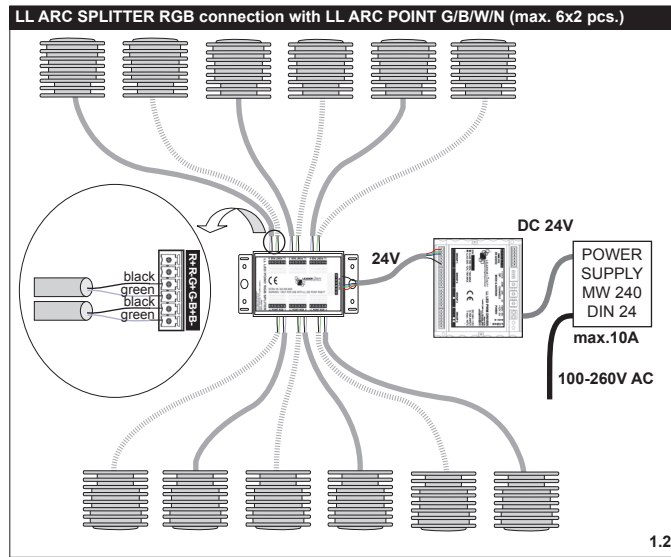
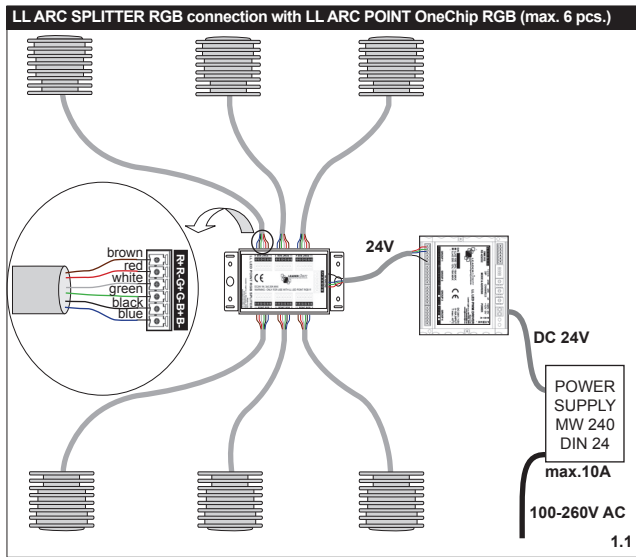
## 04 MAINTENANCE



- **To tackle all Safety Information- 01!**
- Damage caused by inadequate cleaning or maintenance is not covered by warranty.
- Regular cleaning is demand (dust, dirt, ...).

#### Maintenance policy:

- Unplug mains before maintenance and at least 10 minutes cool off
- Appliance do not illegal open or demount
- Clean-up dust only from outer surface
- Use vacuum or dumpy duster (warm water)
- Before reinstalling to check failure-free state – no wet parts!



**Allowed amount of fixtures per SPLITTER**

Minimal	Maximal	Product name - fixture
6 pcs.	6 pcs.	LL ARC POINT OneChip RGB
6 pcs.	6 pcs.	LL ARC POINT OneColour R/A
6 pcs.	2x 6 pcs.	LL ARC POINT OneColour G/B/W/N

**Wire colour to connector terminals**

Connector terminal	Wire colour
R+	Brown
R-	Red
G+	White
G-	Green
B+	Black
B-	Blue

Order code	Product name
------------	--------------

LL41 420 LL ARC SPLITTER RGB 6xOut

If you have any question please, contact [support@leaderlight.sk](mailto:support@leaderlight.sk)